

HILTI

TE 46/ TE 56/TE 56-ATC

Operating instructions

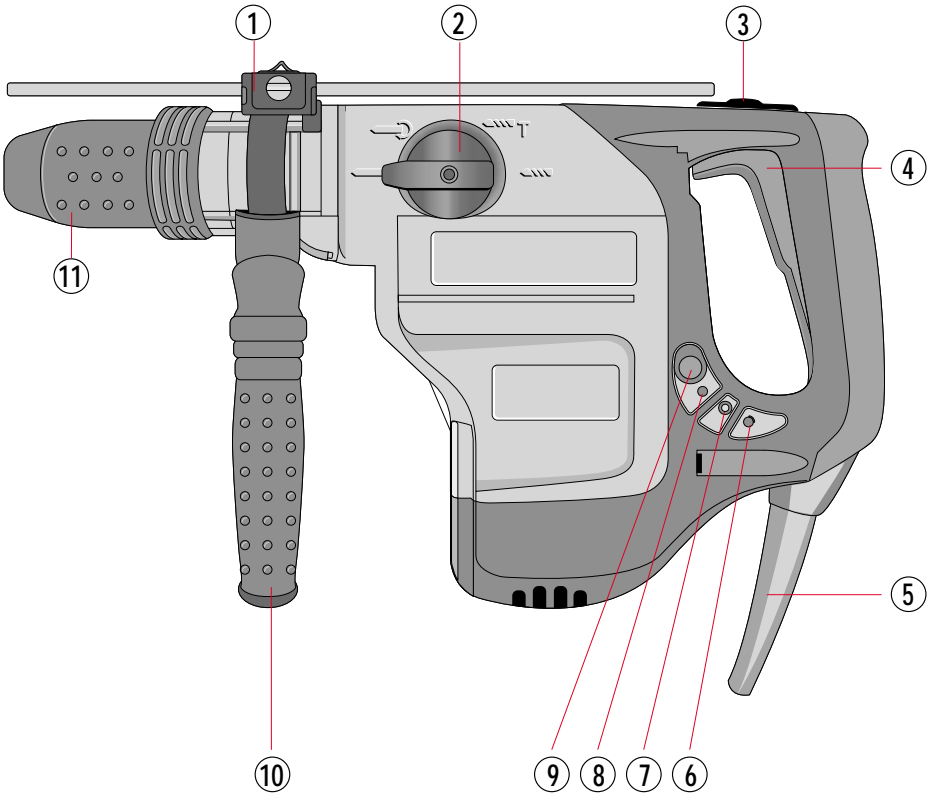
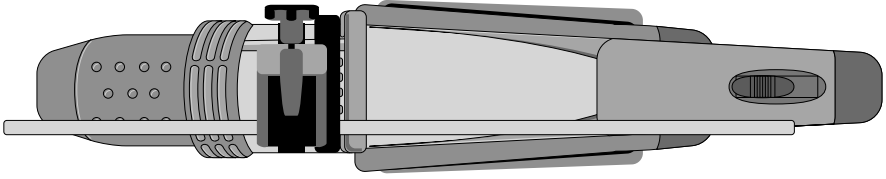
en

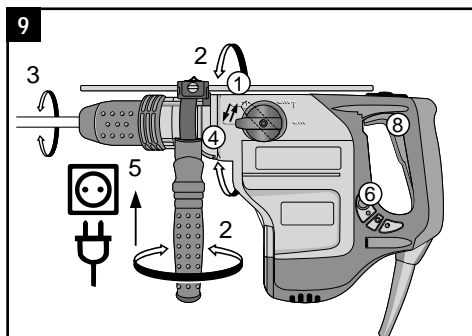
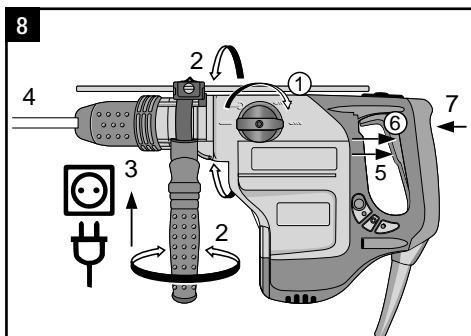
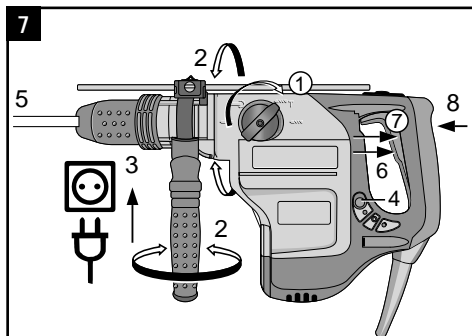
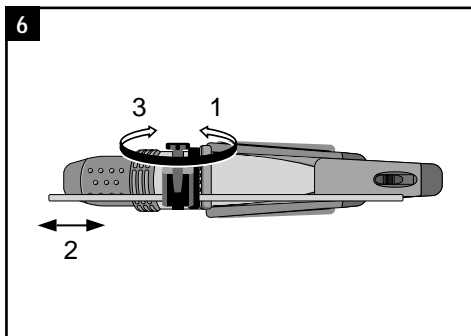
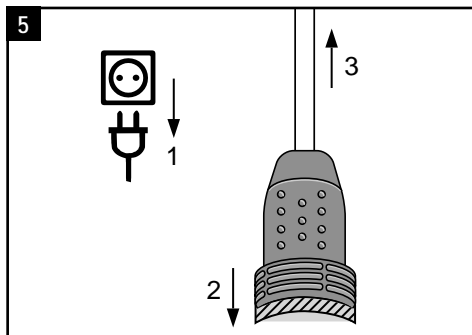
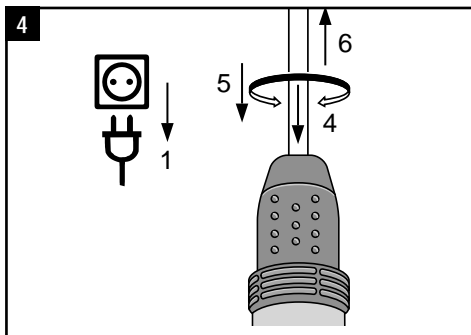
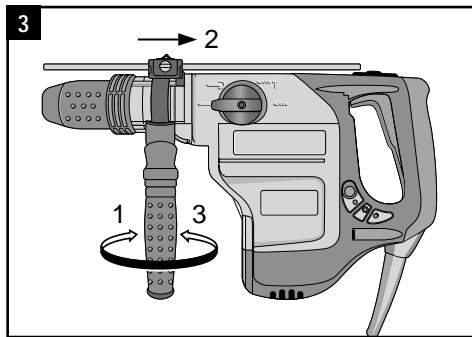
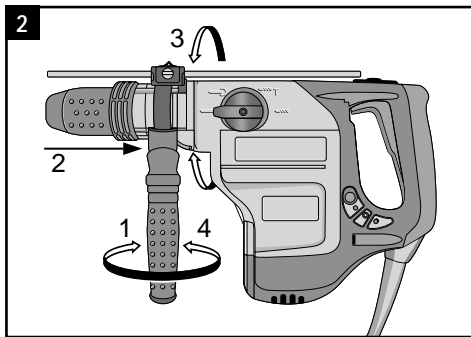


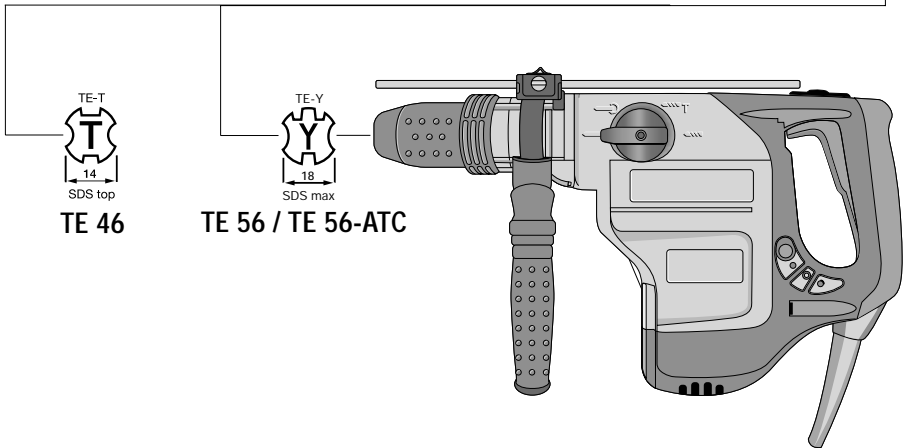
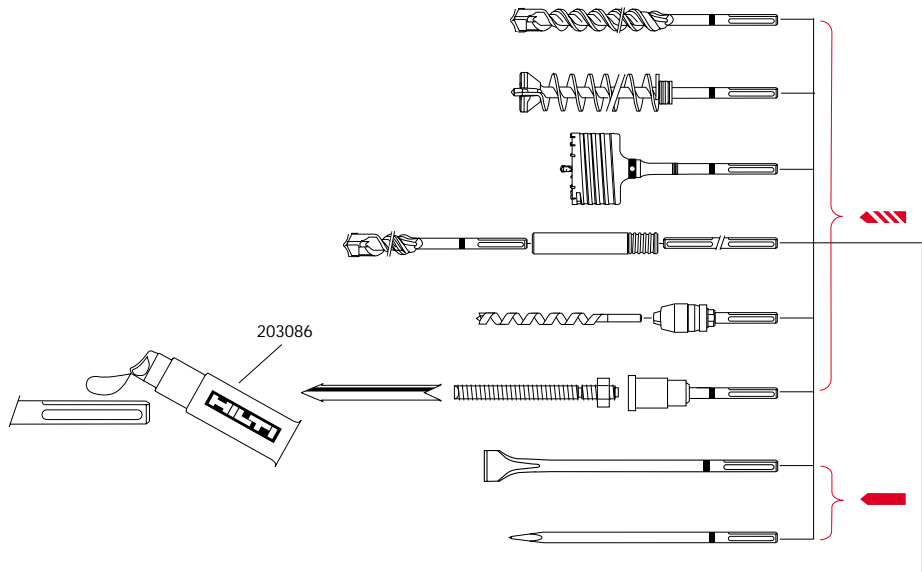
369438

CE

1







TE-T
SDS top
14
TE 46

TE-Y
SDS max
18
TE 56 / TE 56-ATC

TE 46/TE 56/TE 56-ATC combihammer

It is essential that the operating instructions are read before the tool is operated for the first time.

Always keep these operating instructions together with the tool.

Ensure that the operating instructions are with the tool when it is given to other persons.

Parts of the Tool **1**

- ① Removable depth gauge
- ② Function selection switch
- ③ Control switch lockbutton
- ④ Control switch
- ⑤ Supply cord
- ⑥ Activation indicator (anti-theft device)
- ⑦ Service indicator
- ⑧ Indicator for reduced power (50%)
- ⑨ Switch for reduced power (50%)
- ⑩ Side handle
- ⑪ Chuck

Contents	Page
1. General information	11
2. Description	12
3. Tools and accessories	12
4. Technical data	13
5. Safety precautions	14
6. Before use	16
7. Operation	16
8. Care and maintenance	18
9. Troubleshooting	19
10. Disposal	19
11. Warranty	20
12. EC declaration of conformity	20

1. General information

1.1 Signal words and their meaning

-CAUTION-

Used to draw attention to a potentially dangerous situation which could lead to minor personal injury or damage to the equipment or other property.

-NOTE-

Used to draw attention to an instruction or other useful information.

1.2 Pictograms

Warning signs



General warning



Warning: electricity



Warning: hot surface

Obligation signs



Wear a safety helmet



Wear eye protection



Wear breathing protection



Wear ear protection



Wear protective gloves

Symbols



Read the operating instructions before use.

1 These numbers refer to the corresponding illustrations. The illustrations can be found on the fold-out cover pages. Keep these pages open while studying the operating instructions.

In these operating instructions, the TE 46/TE 56/TE 56-ATC combihammer is referred to as "the tool".

Location of identification data on the tool

The type designation and serial number can be found on the rating plate on the tool. Make a note of this data in your operating instructions and always refer to it when making an enquiry to your Hilti representative or service department.

Type: _____

Serial no.: _____

en

2. Description

Correct use

The tool is designed for drilling in concrete and masonry. The tool may also be used for light to medium-duty chiseling work.

The working environment may be on a construction site or in a workshop and may consist of renovation, conversion or new building work.

The tool is an electrically powered rotary hammer drill and breaker with a pneumatic hammering mechanism. The ATC function TE 56-ATC (active torque control) provides additional safety for the user when drilling. The tool is intended for professional use.

The tool is equipped with electronic overload protection. This reduces motor speed or, if necessary, stops the motor when the tool is subjected to sustained overload. The motor provides full power again as soon as the control switch is released and then pressed again. When restarting, care should thus be taken to ensure that the tool is held securely with both hands.

Chucks (TE 46)

– Quick-change chuck TE-T

Chucks (TE 56/TE 56-ATC)

– Quick-change chuck TE-Y (SDS max)

Switches

– Speed control switch for smooth hole starting

- Function selection switch for:
 - Hammer drilling, Drilling without hammering
 - Chiseling, Chisel adjustment (24 positions)
- Power selection: full power and reduced power
- Control switch lockable for chiseling

Grips

- Adjustable side handle with depth gauge
- Vibration-absorbing grip

Safety features

- Mechanical slip clutch
- Additional ATC "active torque control" system (TE 56-ATC)

Lubrication

- Gearing and hammering mechanism with separate lubrication chambers

Indicator lamps

- Power indicators "full power" and "reduced power (50%)" (reduced power: orange)
- Service indicator (yellow)
- Anti-theft system indicator (available as option) (blinks yellow)


The following items are supplied as standard

- Tool
- Grease dispenser (50 ml)
- Operating instructions
- Toolbox
- Cleaning cloth

3. Tools and accessories

Chucks	TE 46 TE 56 / TE 56-ATC	TE-T TE-Y
Hammer drill bits	TE 46 TE 56 / TE 56-ATC	6–32 mm dia. 12–40 mm dia.
Breach bits	TE 46 TE 56 / TE 56-ATC	40 mm dia. 40–66 mm dia.
Percussion core bits	TE 46 TE 56 / TE 56-ATC	50–90 mm dia 45–90 mm dia.
Diamond core bits PCM	TE 46 / TE 56 TE 56-ATC	– 42–87 mm dia.
Chisels	TE 46 TE 56 / TE 56-ATC	Pointed, flat and shaped chisels with TE-T connection end with TE-Y connection end
Setting tools	TE 46 TE 56 / TE 56-ATC	Setting tools with TE-T connection end Setting tools with TE-Y connection end
Quick-release chuck	TE 46 TE 56 / TE 56-ATC	Quick-release chuck 60208 for wood and metal drill bits with cylindrical or hex. shank Chuck holder 264758 Chuck holder 263359
Wood drill bits		10–32 mm dia.
Metal drill bits		Up to 20 mm dia.
Mixing non-flammable substances		Mixing paddles with cylindrical or hex. shanks of 80–150 mm dia.
Dust removal system		TE DRS-S 340602

4. Technical data

Rated power input	TE 46	1050 W					
	TE 56 / TE 56-ATC	1100 W					
Rated voltage		100 V	110 V	120 V	220 V	230 V	240 V
Rated current input	TE 46	15.8 A	13.6 A	13.6 A	6.8 A	6.5 A	6.3 A
	TE 56 / TE 56-ATC	16.3 A	14.2 A	14.2 A	7.0 A	6.8 A	6.6 A
Mains frequency		50–60 Hz					
Weight of tool	TE 46 / TE 56	5.9 kg					
	TE 56-ATC	6.6 kg					
Dimensions (l × w × h)	TE 46	468×95×240 mm					
	TE 56	475×95×240 mm					
	TE 56-ATC	475×95×260 mm					
Hammer drilling speed		480 r.p.m.					
Drilling speed without hammering action	TE 56 / TE 56-ATC	720 r.p.m.					
Single impact energy (full hammering power)		7.0 Nm (J)					
Single impact energy (reduced hammering power)		3.5 Nm (J)					
Drill bit diameter range in concrete / masonry (hammer drilling)	TE 46	6–32 mm dia					
	TE 56 / TE 56-ATC	12–40 mm dia.					
Breach bits	TE 46	40 mm dia.					
	TE 56 / TE 56-ATC	40–66 mm dia.					
Percussion core bits	TE 46	50–90 mm dia.					
	TE 56 / TE 56-ATC	45–90 mm dia.					
Diamond core bits PCM	TE 56-ATC	42–87 mm dia.					
Diameter range with drill bits for wood		10–32 mm dia.					
Diameter range with drill bits for metal		Up to 20 mm dia.					
Drilling performance in medium-hard concrete		20 dia.: 350 mm/min.					
Double insulated (in accordance with EN 50144)		Protection class II 					
Mechanical slip clutch							
ATC active torque control (TE 56-ATC)							
Vibration-absorbing grip and side handle							
Interference immunity		In accordance with EN 55014-2					
Radio and television interference suppression		In accordance with EN 55014-1					
User information as per EN 61000-3-11							
Switching operations cause short voltage drops. If the mains electric supply conditions are unfavourable, other tools / machines can be impaired. If the main electric supply impedance is less than 0.15 Ohms, no disruptions / disturbances need be expected.							
Noise and vibration information (measured in accordance with EN 50144):							
Typical A-weighted sound power level (L _{WA}):		105 dB (A)					
Typical A-weighted sound pressure level (L _{pA}):		92 dB (A)					
Wear ear protection!							
Typical weighted vibration at the grips:	TE 46 / TE 56	7 m/s ²					
	TE 56-ATC	6.5 m/s ²					

Right of technical changes reserved

5. Safety precautions

5.1 Basic information concerning safety

In addition to the information relevant to safety given in each of the sections of these operating instructions, the following points must be strictly observed at all times.



- The tool may be operated only when connected to a power supply providing a voltage and frequency in compliance with the information given on its rating plate.
- Do not expose the tool to rain or snow, do not use it in damp or wet areas or in the vicinity of inflammable liquids or gasses.
- Changes or modifications to the tool are not permissible.
- To avoid the risk of injury, use only original Hilti accessories and additional equipment.
- Do not overload the tool. It will work more efficiently and more safely within its intended performance range.
- Observe the information printed in the operating instructions concerning operation, care and maintenance. The tool and its ancillary equipment may present hazards when used incorrectly by untrained personnel or when used not as directed.

5.2 Take the necessary precautions to make the workplace safe



- Ensure that the workplace is well lit.
- Ensure that the workplace is well ventilated.
- Keep the working area tidy. Objects which could cause injury should be removed from the working area.
- When working, keep other persons, particularly children, outside the range of the tool.
- Do not permit other persons to touch the electric tool or the extension cord.
- Avoid unfavorable body positions.
- Work from a safe stance and stay in balance at all times.
- It is recommended that rubber gloves are worn when working outdoors.
- Do not wear loose clothing, loose long hair or jewelry as these can become caught up in moving parts.
- To avoid tripping and falling when working, always lead the supply cord, extension cord and extraction hose away to the rear.
- Concealed electric cables or gas and water pipes present a serious hazard if damaged while you are working. Accordingly, check the area in which you are working beforehand (e.g. using a metal detector). Avoid contact between your body and earthed / grounded objects, such as pipes or radiators. External metal parts

of the tool may become live, for example, when an electric cable is drilled into inadvertently.

- Use a vice or clamp to secure loose workpieces.

5.3 General safety precautions



- Never leave the tool unsupervised.
- The side handle must always be fitted when the tool is in use.
- The tool is for hand-held use only.
- Hold the side-handle securely at the end furthest from the tool.
- Keep the tool, especially its grip surfaces, clean and free from oil and grease.
- Always hold the tool securely, with both hands on the grips provided.
- In the event of the drill bit sticking, the tool will be deflected to the side (rotary movement).
TE 56-ATC: When drilling in the corner of a room, the ATC system cannot react to this deflection in time.
- The tool is not suitable for use in atmospheres where there is a risk of explosion.
- When not in use, the tool must be stored in a dry place, locked up or out of reach of children.
- Avoid long periods of work with exposure to strong vibration.
- Avoid unintentional starting. Do not carry the tool with your finger on the on/off switch.
- Disconnect the supply cord plug from the socket when the tool is not in use (e.g. during breaks, before maintenance and before changing insert tools).
- Take care of your insert tools. You will be able to work more efficiently and more safely if the insert tools are kept sharp and clean. Observe instructions on care and maintenance and on changing insert tools.

5.3.1 Mechanical



- Observe the instructions concerning care and maintenance and replacement of insert tools in good time.
- Ensure that the insert tools used are equipped with the correct connection end system and that they are properly fitted and secured in the chuck.

5.3.2 Electrical



- Check the condition of the tool including the supply cord and extension cord as well as the plug connections. Do not operate the tool if damage is found, if the

tool is not complete or if its controls cannot be operated faultlessly.

- Check the tool and any applicable safety devices for damage each time before use.
- Electrostatic discharge may occur at any time.
- Do not touch the supply cord in the event of it suffering damage while working. Disconnect the supply cord plug from the socket.
- Damaged switches must be replaced at a Hilti service center. Do not use the tool if it cannot be switched on and off correctly.
- The tool should be repaired by a trained electrical specialist (Hilti service center).
- Never carry the tool by the supply cord.
- Grip the plug and not the supply cord when pulling it out of the socket.
- Do not expose the supply cord to heat, oil or sharp edges.
- When working outdoors, use only extension cords approved and correspondingly marked as suitable for outdoor use.
- To avoid a risk of accident, use only original Hilti spare parts.
- Never operate the tool when it is dirty or wet. Dust or dampness on the surface of the tool make it difficult to hold and, under unfavorable conditions, may lead to electric shocks.

5.3.3 Thermal



- The insert tool may become hot during use. You should therefore wear protective gloves when changing insert tools.

5.3.4 Dust



- Breathing protection must be worn when the tool is used without a dust removal system.
- Wear respiratory protection when carrying out work that creates dust.
- Connect a dust removal system to the tool, if available.

5.4 Requirements to be met by users

- The tool is intended for professional use.
- The tool may be operated, serviced and repaired only by authorized, trained personnel. This personnel must be informed of any special hazards that may be encountered.
- Always concentrate on the job you are doing. Proceed carefully and do not use the tool if your full attention is not on the job.

5.5 Personal protective equipment

- The user and any other persons in the vicinity must wear suitable eye protection, a safety helmet, ear protection and protective gloves. They must also wear breathing protection if no dust removal system is used.



Wear
a safety
helmet



Wear
eye
protection



Wear
breathing
protection



Wear
ear
protection



Wear
protective
gloves

6. Before use



Ensure that the tool is disconnected from the mains supply.

6.1 Fitting the side handle 2

1. Release the side handle clamping band by turning the handle in a counter-clockwise direction.
2. Fit the side handle clamping band over the chuck and onto the cylindrical section of the gear housing.
3. Pivot the side handle into the desired position.
4. Secure the side handle by turning the handle in a clockwise direction.

6.2 Fitting the depth gauge 3

1. Release the side handle clamping band by turning the handle in a counter-clockwise direction.
2. Slide the depth gauge through the two guide holes in the depth gauge holder on the side handle clamping band. (The depth gauge can be clamped in position above the tool or pivoted through 90° to the side of the tool opposite the function selection switch.)
3. Secure the side handle by turning the handle in a clockwise direction.

6.3 Use of extension cords

Use only extension cords of a type approved for the application and with conductors of adequate cross section.

Recommended minimum conductor cross section and max. cable lengths:

Mains voltage	Conductor cross section				AWG	
	1,5 mm ²	2,0 mm ²	2,5 mm ²	3,3 mm ²	14	12
100 V	–	30 m	–	50 m	–	–
110–120 V	20 m	30 m	40 m	50 m	75 ft	125 ft
220–240 V	50 m	–	100 m	–	–	–

Do not use extension cords with 1.25 mm² or 16 AWG conductor cross sections.

6.4 Use of a generator or transformer

This tool may be powered by a generator or transformer which fulfils the following conditions:

- AC voltage output, power output at least 2600 W
 - The operating voltage must be within +5% and –15% of the rated voltage at all times.
 - Frequency range 50–60 Hz, never above 65 Hz
 - Automatic voltage regulation with starting boost
- Never operate other tools or appliances from the generator or transformer at the same time. Switching other tools or appliances on and off may cause undervoltage and / or overvoltage peaks, resulting in damage to the tool.

6.5 Activating the tool

See operating instructions TPS theft protection systems.

7. Operation



Never use the tool without the side handle.
Use a vice or clamp to secure loose workpieces.

-CAUTION-	
	<ul style="list-style-type: none">● The insert tool may become hot during use.● There is a risk of burning the hands.● Wear protective gloves when changing insert tools.

7.1 Fitting the insert tool 4

1. Unplug the supply cord from the mains socket.
2. Check that the connection end of the insert tool is clean and lightly greased. Clean it and grease it if necessary.
3. Check that the sealing lip of the dust shield is clean

and in good condition. Clean the dust shield if necessary or replace it if the sealing lip is damaged (see section 8).

4. Insert the insert tool in the chuck and rotate it while applying slight pressure until it engages in the guide grooves.
5. Push the insert tool further into the chuck until it is heard to engage.
6. Check that the insert tool has engaged correctly by pulling on it.




7.2 Removing the insert tool 5


1. Unplug the supply cord from the mains socket.
2. Open the chuck by pulling back the locking sleeve.
3. Pull the insert tool out of the chuck.

7.3 Adjusting the depth gauge 6

1. Release the depth gauge clamping screw.
2. Slide the depth gauge into the desired position.
3. Tighten the depth gauge clamping screw.

7.4 Hammer drilling – full hammering power **7**

  	-CAUTION-
	<ul style="list-style-type: none"> ● Drilling may cause splintering of the material. ● Splinters may cause injury to parts of the body and eyes. ● Wear eye protection, protective gloves and breathing protection if no dust removal system is used.

	-CAUTION-
	<ul style="list-style-type: none"> ● The tool and the drilling operation emit noise. ● Excessive noise may damage the hearing. ● Wear ear protection.

- Engage the function selection switch in the "hammer drilling / full hammering power" position.
- Bring the side handle into the desired position and check that it is correctly fitted and properly secured.
- Plug the supply cord into the mains socket.
- Set the desired drilling power.
 - Full drilling power: Full drilling power is always activated after plugging the supply cord into the mains socket.
 - Reduced drilling power (50%): Press the "reduced drilling power" button (the drilling power indicator lights.) To return to full drilling power, press the "reduced drilling power" button again.
- Position the tip of the drill bit at the point where the hole is to be drilled.
- Press the control switch slowly. Begin drilling at low speed, increasing speed only after the drill bit has become centered in the hole.
- Press the control switch fully to continue drilling at full power.
- Do not apply excessive pressure to the tool. This will not increase its hammering power. Lower contact pressure increases the life of the insert tool.
- To avoid spalling when drilling through-holes with breach bits, reduce drilling speed shortly before breaking through.

-NOTE-

When working at low temperatures:
The hammering mechanism works only when the tool has reached a minimum operating temperature. Bring the drill bit into contact with the base material and allow the tool to run under no load until the minimum operating temperature is reached. If necessary, repeat

this procedure until the hammering mechanism begins to operate.

Active torque control (TE 56-ATC)

The TE 56-ATC is equipped with an **active torque control** system in addition to the mechanical clutch. This system offers additional safety while drilling by quickly switching off the tool, for example, when the drill bit sticks on contacting a reinforcing bar or when the insert tool is tilted unintentionally, thus preventing uncontrolled rotation around the longitudinal axis of the drill bit. When the torque control system has become activated, the tool can be returned to normal operating mode by releasing pressure on the control switch, waiting until the motor has stopped rotating and then reapplying pressure to the control switch. (An audible "click" indicates that the tool is again ready for operation). Always choose a working position in which the electric tool is free to rotate in a counter-clockwise direction (as seen by the operator). If this is not possible, the ATC system cannot react.

7.5 Drilling without hammering action (**8**) (only TE 56-ATC)

- Engage the function selection switch in the "rotary drilling" position.
- Bring the side handle into the desired position and check that it is correctly fitted and properly secured.
- Plug the supply cord into the mains socket.
- Position the tip of the drill bit at the point where the hole is to be drilled.
- Press the control switch slowly. Begin drilling at low speed, increasing speed only after the drill bit has become centered in the hole.
- Press the control switch fully to continue drilling at full power.
- Do not apply excessive pressure to the tool. This will not increase its hammering power. Lower contact pressure increases the life of the insert tool.

7.6 Chiseling (/ **9**)

-NOTE-

The chisel can be locked in 24 different positions (in 15° increments). Flat and shaped chisels can thus always be brought into the optimum position for the job on hand.

7.6.1 Chisel positioning ()

- Turn the function selection switch to the "chisel adjustment" position until it engages.
- Pivot the side handle into the desired position and check that it is fitted and secured correctly. (Alternatively, when chiseling, the tool may be held at the section of the housing behind the chuck.)
- Adjust the chisel to the desired position.

7.6.2 Locking the chisel ()

- Turn the function selection switch to the "chiseling" position until it engages.

7.6.3 Chiseling ()

5. Plug the supply cord into the mains socket.
6. Set the desired chiseling power.
 - Full chiseling power: Full chiseling power is always activated after plugging the supply cord into the mains socket.
 - Reduced chiseling power (50%): Press the "reduced chiseling power" button (the chiseling power indicator lights.) To return to full chiseling power, press the "reduced chiseling power" button again.
7. Position the tip of the chisel at the desired position on the work surface.
8. Press the control switch fully.

7.6.4 Using the control switch lockbutton

The control switch can be locked in the "on" position when chiseling.

Locking the switch

1. Slide the control switch lockbutton (above the grip) forward.
2. Press the control switch fully. (The tool is then in sustained operating mode.)

Releasing the switch

1. Slide the control switch lockbutton back. (The tool switches off.)

8. Care and maintenance

Unplug the supply cord from the mains socket.

8.1 Care of insert tools

Clean off dirt and dust deposits and protect your insert tools from corrosion by wiping them from time to time with an oil-soaked rag.

8.2 Care of the electric tool

The outer casing of the tool is made from impact-resistant plastic. Sections of the grip are made from an elastomer material.

Never operate the tool when the ventilation slots are blocked. Clean the ventilation slots carefully using a dry brush. Do not permit foreign objects to enter the interior of the tool. Clean the outside of the tool at regular intervals using a slightly damp cloth. Do not use a spray, steam pressure cleaning equipment or running water for cleaning. This may negatively affect the electrical safety of the tool. Always keep the grip surfaces of the tool free from oil and grease. Do not use cleaning agents which contain silicone.

8.3 Service indicator

The tool is equipped with a service indicator.

8.3.1 The service indicator lights

The carbon brushes have reached the end of their life. The tool can be operated for a further approx. eight hours after the service indicator lights, after which the automatic cut-out will be activated. Please return the tool to a Hilti service center in good time so that it is ready for use when required.

8.3.2 The service indicator blinks

An electrical fault has occurred. The tool has been rendered inoperable and should be returned to a Hilti repair center for servicing.

8.4 Maintenance

Check all external parts of the tool for damage at regular intervals and check that all controls operate faultlessly.

Do not operate the tool if parts are damaged or when the controls do not function faultlessly. If necessary, your electric tool should be repaired at a Hilti repair center. Repairs to the electrical section of the tool may be carried out only by trained electrical specialists

8.5 Checks after care and maintenance

After carrying out care and maintenance on the tool, check that all protective equipment has been refitted and that all items function faultlessly.

9. Troubleshooting

Fault	Possible cause	Remedy
The tool doesn't start.	Fault in mains supply.	Plug in another electric appliance and check whether it works.
	Supply cord or plug defective.	The cord should be checked and, if necessary, replaced by an electrical specialist.
	Control switch defective.	The switch should be checked and, if necessary, replaced by an electrical specialist.
No hammering action.	The tool is too cold.	Allow the tool to warm up to the minimum operating temperature. (See "Operation".)
	Function selection switch set to rotary drilling (TE 56-ATC).	Set the function selection switch to hammer drilling.
The tool does not achieve full power.	Extension cord with inadequate cross section used.	Use an extension cord with adequate cross section. (See "Before use".)
	Control switch not fully pressed.	Press the control switch as far as it will go.
	"Reduced power" button activated.	Press the "reduced power" button (fig. 1).
Drill bit doesn't rotate.	Function selection switch not engaged.	After rotation has stopped, move the function selection switch until it engages.
The drill bit cannot be released from the chuck.	Chuck sleeve not pulled back fully.	Pull the chuck sleeve back as far as it will go and remove the insert tool.
	Side handle not correctly fitted or moved out of place.	Release the side handle and reposition it correctly so that the clamping band and side handle are engaged in the groove. (See 6.3)

10. Disposal

Most of the materials from which Hilti electric tools are manufactured can be recycled. The materials must be correctly separated before they can be recycled. In many countries, Hilti has already made arrangements for taking back your old electric tools for recycling. Please ask your Hilti customer service department or Hilti representative for further information.

Should you wish to return the electric tool yourself to a disposal facility for recycling, proceed as follows: Dismantle the electric tool as far as possible without the need for special tools. Use absorbent paper to wipe oily parts clean and to collect any grease that runs out (total quantity approx. 50 ml). This paper should also be disposed of correctly. **On no account should oil or grease be allowed to enter the waste water system or to find its way into the ground.**

The individual parts should be separated as follows:

Part / assembly	Main material	Recycling
Toolbox	Plastic	Plastics recycling
Gear housing	Plastic with magnesium alloy / brass parts	Scrap metal
Bearing plate	Magnesium alloy / brass	Scrap metal
Grip, side handle	Plastic	Plastics recycling
Motor housing	Plastic	Plastics recycling
Grip cover	Plastic	Plastics recycling
Fan	Plastic	Plastics recycling
Motor (rotor and stator)	Steel and copper	Scrap metal
Supply cord	Copper, elastomer	Scrap metal
Gearing parts	Steel	Scrap metal
Hammering mechanism parts	Steel	Scrap metal
Screws, small parts	Steel	Scrap metal

11. Warranty

Hilti warrants that the tool supplied is free of defects in material and workmanship. This warranty is valid as long as the tool is operated and handled correctly, cleaned and serviced properly and in accordance with the Hilti operating instructions, all warranty claims are made within 12 months (unless other mandatory national regulations prescribe a longer minimum period) from the date of the sale (invoice date), and the technical system is maintained. This means that only original Hilti consumables, components and spare parts may be used in the tool.

This warranty provides the free-of-charge repair or replacement of defective parts only. Parts requiring repair or replacement as a result of normal wear and tear are not covered by this warranty.

Additional claims are excluded, unless mandatory national rules prohibit such exclusion. In particular,

Hilti is not obligated for direct, indirect, incidental or consequential damages, losses or expenses in connection with, or by reason of, the use of, or inability to use the tool for any purpose. Implied warranties of merchantability or fitness for a particular purpose are specifically excluded.

Send the tool and/or related parts immediately upon discovery of a defect to the local Hilti marketing organisation for repair or replacement.

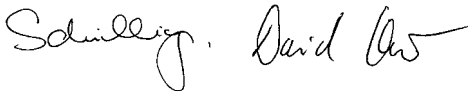
This constitutes Hilti's entire obligation with regard to warranty and supersedes all prior or contemporaneous comments and oral or written agreements concerning warranties.

12. EC declaration of conformity

Designation:	Combiammer
Type:	TE 46/TE 56/TE 56-ATC
Year of design:	2002

We declare, on our sole responsibility, that this product complies with the following directives and standards: 73/23/EEC, 89/336/EEC, 98/37/EC, EN 55014-1, EN 55014-2, EN 50144-1, EN50144-2-6, EN 61000-3-2, EN 61000-3-11

Hilti Corporation



Daniel Schillinger
Senior Vice President
Drilling and Demolition
Business Unit
December 2002

David Hruza
Development
Drilling and Demolition
Business Unit
December 2002



Hilti Corporation

FL-9494 Schaan

Tel.: +423 / 234 21 11

Fax: +423 / 234 29 65

www.hilti.com