

TECHNICAL INFORMATION



PRODUCT

P 1 / 18

Model No. ▶ HR2440, HR2441, HR2442

Description ▶ Rotary Hammer 24mm (15/16")

CONCEPT AND MAIN APPLICATIONS

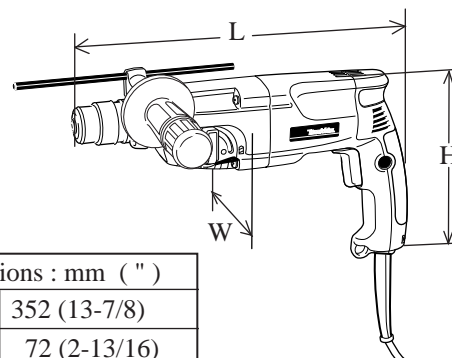
The above models are the advanced version of MAKITA's famous 2-modes 2Kg rotary hammer HR2410

Each new model features ;

HR2440 : with variable switch and reverse switch

HR2441 : with variable switch, without reverse switch

HR2442 : with single speed switch, without reverse switch



Dimensions : mm (")	
Length (L)	352 (13-7/8)
Width (W)	72 (2-13/16)
Height (H)	204 (8)

▶ Specification

Voltage (V)	Current (A)	Cycle (Hz)	Continuous Rating (W)		Max. Output(W)
			Input	Output	
110	7.5	50 / 60	780	370	650
120	6.7	50 / 60	780	370	650
220	3.7	50 / 60	780	370	650
230	3.6	50 / 60	780	370	650
240	3.4	50 / 60	780	370	650

Model No.	HR2440	HR2441	HR2442	
No load speed : (min -1= rpm)	0 - 1,100		1,100	
Blows per min : (min -1= bpm).	0 - 4,500		4,500	
Type of bit shank	SDS - plus			
Chuck ability	10 (3/8)			
Drilling capacity : mm (")	Steel	13 (1/2)		
	Wood	32 (1-1/4)		
	Concrete	TCT. hammer bit	24 (15/16)	25 (1) for North America
		Core bit	54 (2-1/8)	
		Diamond core	Wet	65 (2-9/16)
Dry	65 (2-9/16)			
Single blow energy (J)	2.7			
Working mode	2 modes rotation rotation+percussion			
Variable switch	Yes	Yes	No	
Clutch for protecting user from lock of bit	Yes	Yes	Yes	
Reverse switch	Yes	No	No	
Protection from electric shock	by double insulation			
Cord length : m (ft)	4(13.1)	2.5(8.2) for Asia	2.0(6.6) for Australia	
Net weight : kg (lbs)	2.3 (5.1)			

< Note > When using wet type dia. core, employ HR2440 series models connecting with residual current device.

▶ Standard equipment

* Side grip 1 pc.

* Plastic carrying case 1 pc.

* Stopper pole (Depth gauge) 1 pc.

< Note > The standard equipment for the tool shown may differ from country to country.

▶ Optional accessories

* SDS plus TCT. bits 5.5mm(7/32") - 24mm(15/16")

* Safety goggle

* Dust extractor attachment

* Drill chuck assembly

* Bit grease

* Diamond core bits (wet and dry)

* Chuck adapter

* Blow out bulb

32mm, 38mm, 54mm, 65mm

* Chuck key S-13

* Core bits 32mm, 45mm, 54mm

* Water protection collar

* Drill chuck S-13

* Core bit

* Various taper shank TCT. bits

* Holder driver

* Core bit adapter

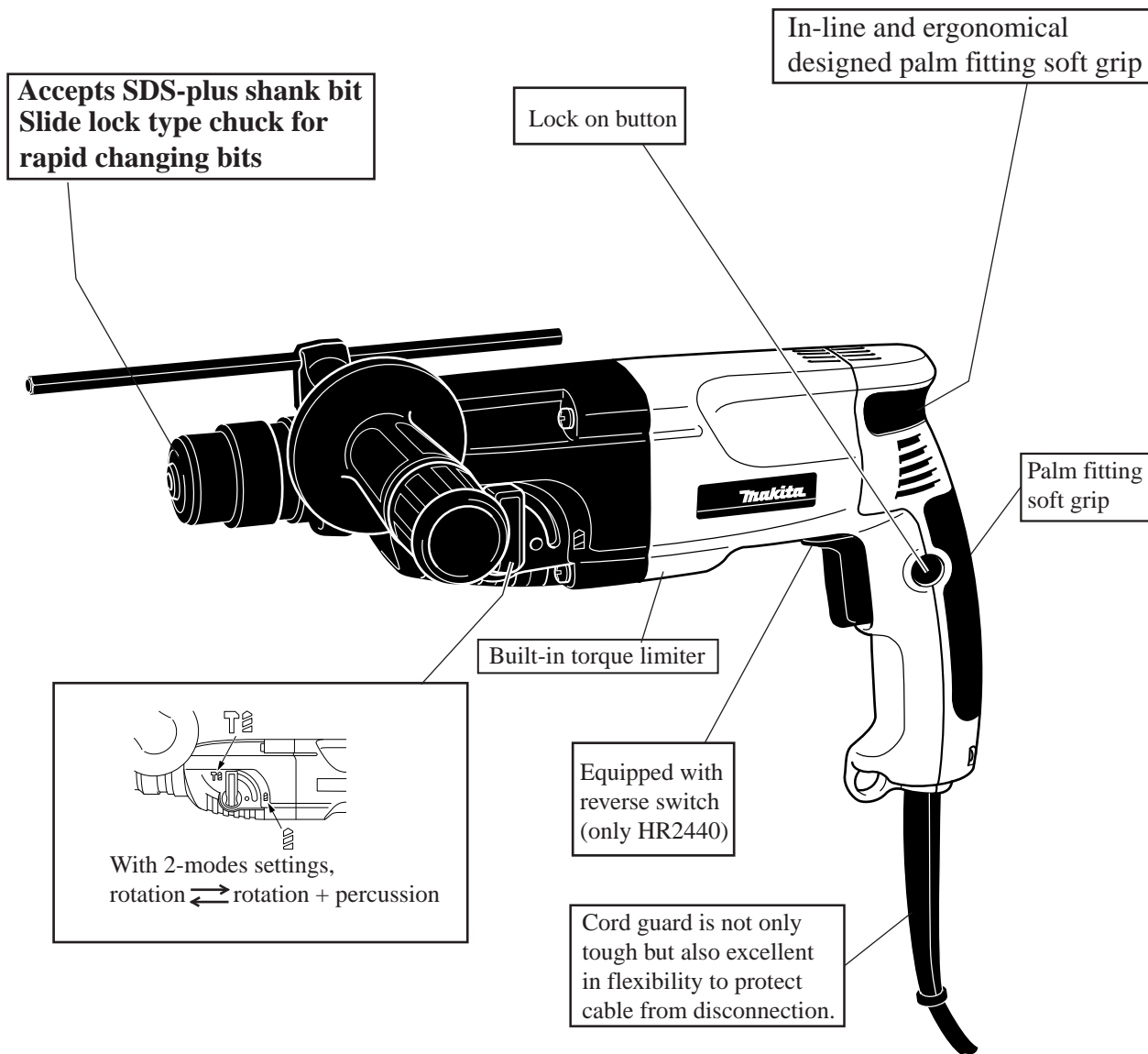
* Taper shank adapter

* Dust cups 5 and 9

* Rod

* Cotter

HR2440, HR2441, HR2442



		Model No.	MAKITA		Competitor A	Competitor B
		Variable speed+Reverse	* HR2440	*HR2410	* A-VR	* B-VR
Specifications		Variable peed	* HR2441	*HR2413	* A-V	—
		Single peed	HR2442	HR2412	A	B
		Power input : W	780	680	620	620
	No load speed: min-1=rpm.	* 0 - 1,100 1,100	* 0 - 1,050 1,050	* 0 - 1,050 1,050	* 0 - 1,050 1,050	
	Blows per min. : min-1=bpm.	* 0 - 4,500 4,500	* 0 - 4,900 4,900	* 0 - 4,850 4,850	* 0 - 4,400 4,400	
	Bit type	SDS-plus	SDS-plus	SDS-plus	SDS-plus	
Capacity	Concrete	TCT.hammer bit : mm (")	24 (15/16)	24 (15/16)	24 (15/16)	24 (15/16)
		Core bit : mm (")	54 (2-1/8)	54 (2-1/8)	65 (2-9/16)	50 (2)
		Diamond core : mm (")	Wet	**65 (2-9/16)	65 (2-9/16)	—
	Dry		65 (2-9/16)	—	—	120 (4-3/4)
		Steel : mm (")	13 (1/2)	13 (1/2)	10 (3/8)	13 (1/2)
		Wood : mm (")	32 (1-1/4)	32 (1-1/4)	30 (1-3/16)	32 (1-1/4)
	Single blow energy : J	2.7	2.0	2.2	2.2	
	Working mode R : Rotation R + P : Rotation+Percussion	2 Modes R R+P	2 Modes R R+P	2 Modes R R+P	2 Modes R R+P	
Vibration : m / s ²	Instruction manual	9	8	10	10	
	Measured by us	8.7	7.8	8.7	9.7	
Noise : dB(A)	Instruction manual	101	103	101	—	
	Measured by us	101	103	102	102	
	Protection from electric shock	by double insulation	by double insulation	by double insulation	by double insulation	
	Cord length : m (ft)	4.0 (13.1)	2.5 (8.2)	4.0 (13.1)	5.0 (16.4)	
Dimensions	Length : mm (")	352 (13-7/8)	371 (14-5/8)	360 (14-1/8)	318 (12-1/2)	
	Width : mm (")	72 (2-13/16)	70 (2-3/4)	70 (2-3/4)	72 (2-13/16)	
	Height : mm (")	204 (8)	197 (7-3/4)	205 (8-1/8)	185 (7-1/4)	
	Net weight : Kg (lbs)	2.3 (5.1)	2.3 (5.1)	2.4 (5.3)	2.3 (5.1)	

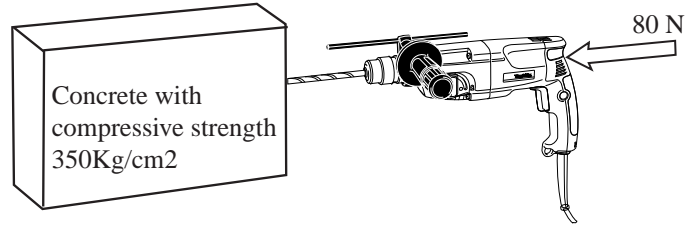
Diamond Core : mm (") ; When using wet type dia core, employ HR2440 series model connecting with residual current device.

Comparison of products

Numbers in chart below are relative values when setting the capacity of competitor A's A-VR as 100.

Testing conditions

- * Materials : Concrete with compressive strength, 350Kg/cm²
- * Pressure added to the products : 80 N
- * Working mode : Rotation + Percussion



Comparison in hammer drilling

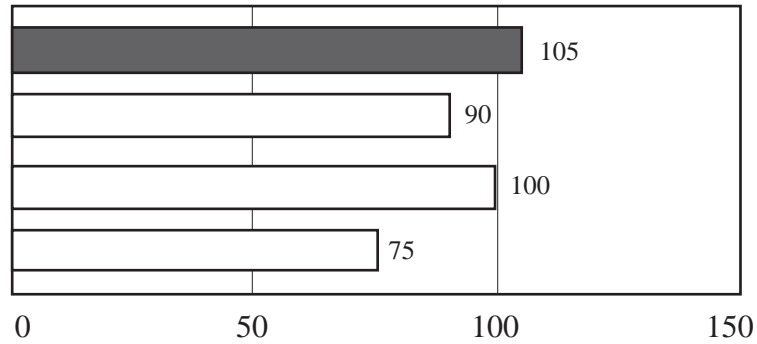
Bit diameter : 6.5mm

MAKITA HR2440

MAKITA HR2410

Competitor A A-VR

Competitor B B-VR



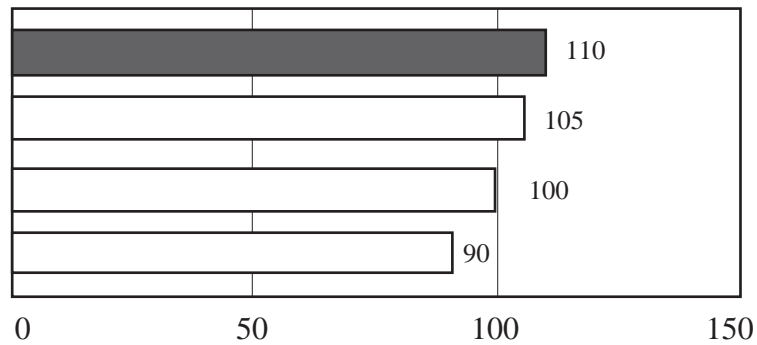
Bit diameter : 8.5mm

MAKITA HR2440

MAKITA HR2410

Competitor A A-VR

Competitor B B-VR



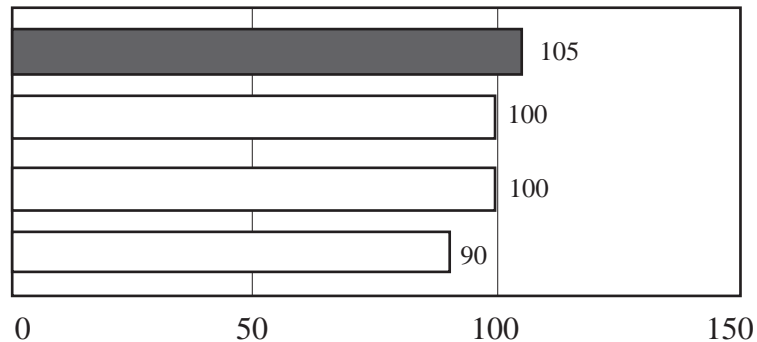
Bit diameter : 12.5mm

MAKITA HR2440

MAKITA HR2410

Competitor A A-VR

Competitor B B-VR



Comparison in drilling

Testing conditions

- * Materials : Douglas fir (Wood) of 60mm (2-3/8") in thickness
- * Working mode : Rotation only

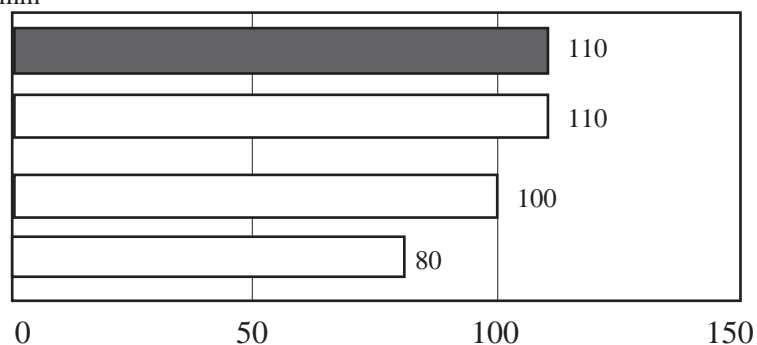
Auger bit diameter : 32.0 mm

MAKITA HR2440

MAKITA HR2410

Competitor A A-VR

Competitor B B-VR

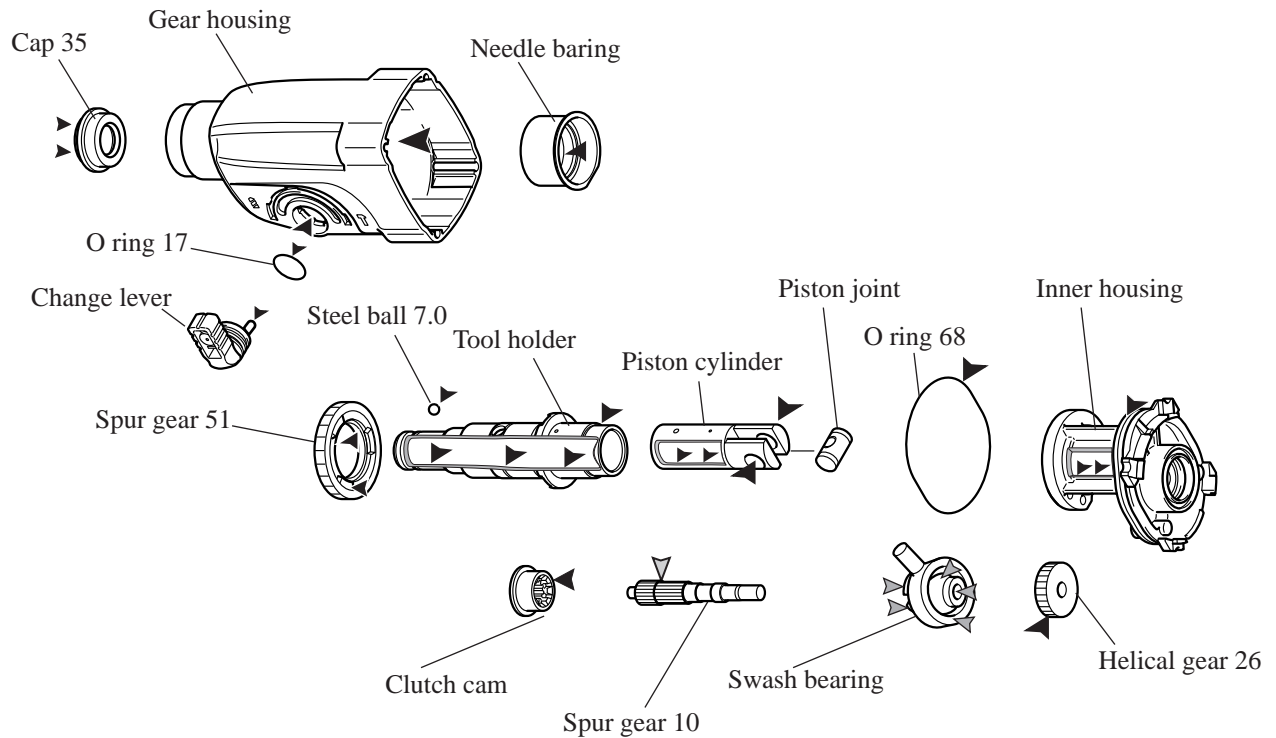


< 1 > Lubrication

Apply the following MAKITA grease to protect parts and product from unusual abrasion.

* Grease RA No.1(Brown) to the portions marked with black triangle

* Grease FA No.2 to the portions marked with gray triangle



Cap 35	Grease RA No.1 (Brown)	Inner lip of bit inserting side
Gear housing	Grease RA No.1 (Brown) : 60g	Inner portion where the mechanical parts are installed. Groove for O ring 17 assembling portion
Needle bearing	Grease RA No.1 (Brown)	Inner ring
Change lever	Grease RA No.1 (Brown)	Top of the pins
O ring 17	Grease RA No.1 (Brown)	Whole part
Spur gear 51	Grease RA No.1 (Brown)	Inner portion where tool holder contacts Convex portion of cam
Steel ball 7.0	Grease RA No.1 (Brown)	Whole part
Tool holder	Grease RA No.1 (Brown)	Inner portion where piston cylinder contacts The portion where inner housing contacts
Piston cylinder	Grease RA No.1 (Brown)	Inner portion where striker contacts The portion where piston joint is assembled
O ring 68	Grease RA No.1 (Brown)	Whole part
Inner housing	Grease RA No.1 (Brown)	Inner portion where tool holder contacts The groove where O ring 68 is assembled
Spur gear 10	Grease FA No.2	Spline portion
Swash bearing 10	Grease FA No.2	Inner portion where cam shaft contacts The surface where helical gear 26 contacts The portion where balls are installed Convex portion of cam
Helical gear 26	Grease RA No.1 (Brown)	Whole of teeth portion

< 2 > Disassembling chuck section

1. Slide chuck cover in the direction of gear housing, and pull out cap 35 by turning. See Fig. 1.
2. Take off ring spring 19. Then, the following parts can be disassembled from tool holder. See Fig. 1A.
 - * Chuck cover
 - * Ring 21
3. Take off steel ball 7.0 with which guide washer and conical compression spring 21-29 are held. See Fig. 1A. Then, guide washer and conical compression spring 21-29 can be disassembled from tool holder. See Fig. 1B.

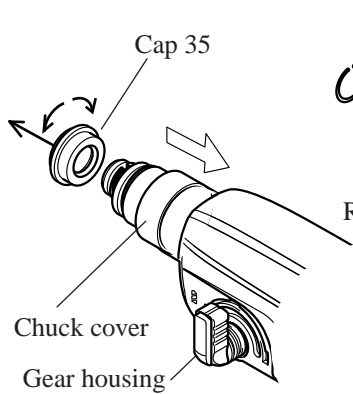


Fig. 1

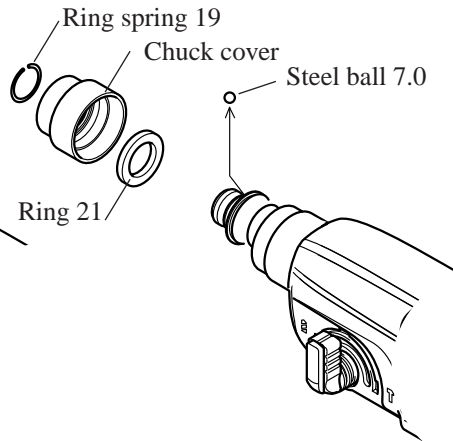


Fig. 1A

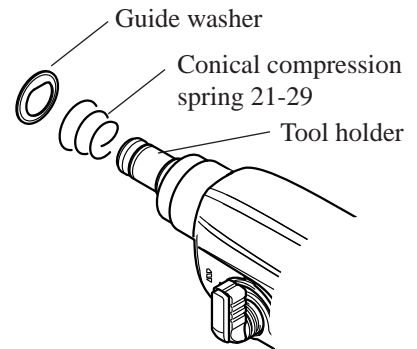


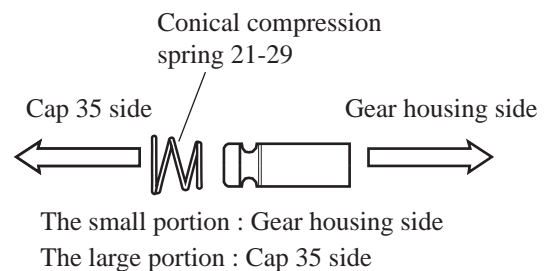
Fig. 1B

< 3 > Assembling chuck section

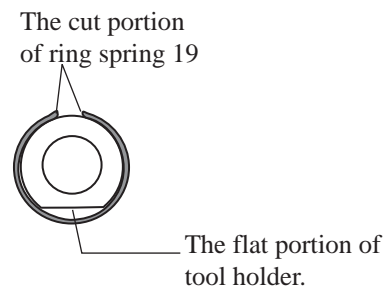
1. Apply grease to steel ball 7.0 and cap 35 referring to < 1 > Lubrication at page 5.
2. Assemble conical compression spring 21-29 and guide washer, and hold guide washer with steel ball 7.0. See Fig. 1B and Fig. 1A.
3. Assemble ring 21 and chuck cover to tool holder. And then, hold them with ring spring 19. See Fig. 1A.
4. Slide chuck cover in the direction of gear housing, and assemble cap 35 by turning. See Fig. 1.

< Note in assembling >

A. Pay attention to the assembling direction of conical compression spring 21-29.



B. The cut portion of ring spring 19 has to come to the opposite side of the flat portion of tool holder.



< 4 > Disassembling change lever

1. Disassemble cap from change lever by twisting the flat head screwdriver inserted between cap and change lever, as illustrated in Fig. 2.
2. Turn the change lever fully to the direction of rotary hammer mode and pull off change lever from gear housing as illustrated in Fig 2A.

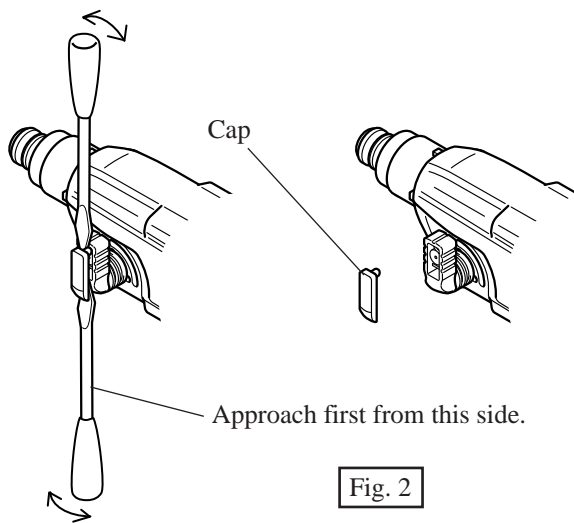


Fig. 2

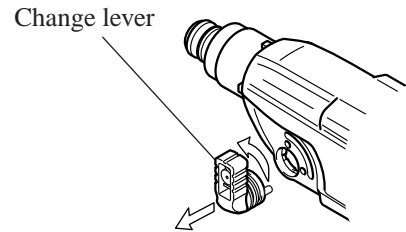


Fig. 2A

Apply grease to the pin, before assembling.

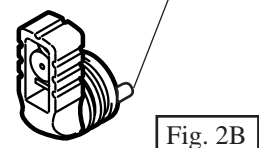


Fig. 2B

< 5 > Assembling change lever

1. Apply grease RA No.1 (Brown) to the top of change lever's pin. See Fig. 2B.
- < Note > The neglect of the grease to the pin portion can be cause of the damage on the change lever during the work in "rotation only" mode.
2. Aligning change lever with the rotary hammer mode, assemble it by pressing to the assembling hole as illustrated in the above Fig. 2A. And assemble cap by pressing to change lever.

< 6 > Disassembling armature

1. Disassemble handle cover by unscrewing tapping screw 4 x 25. And disassemble carbon brushes as illustrated in Fig. 3.
2. Separate gear housing together with armature, from motor housing by unscrewing tapping screws 4 x 45 as illustrated in Fig. 3A.
3. Slightly hitting the edge of gear housing with plastic hammer, remove armature from inner housing assembled in gear housing. See Fig. 3B.
4. Ball bearings of fan side and commutator side can be disassembled with No.1R269 "Bearing extractor (small)". See Fig. 3C.

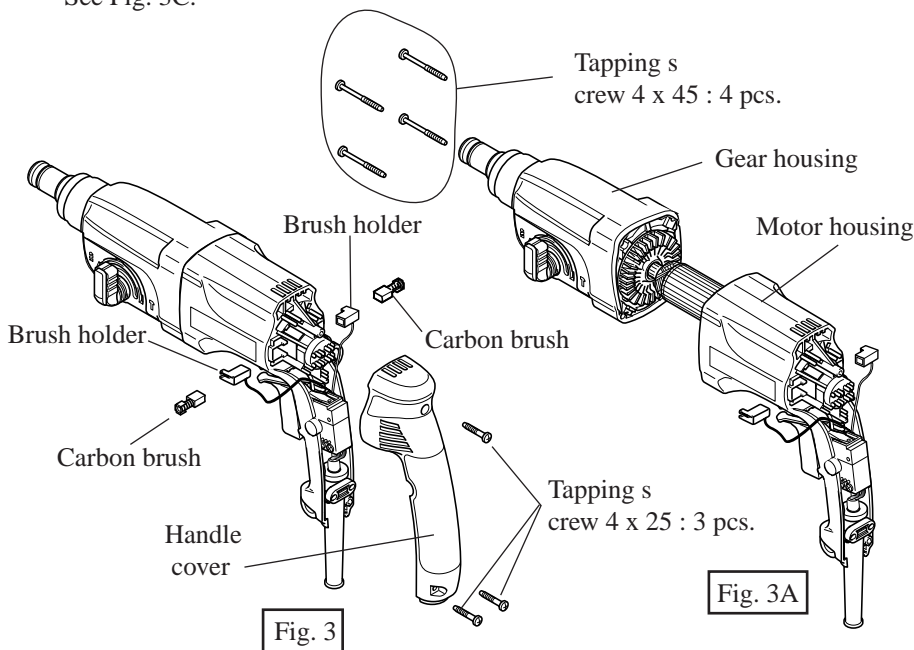


Fig. 3

Fig. 3A

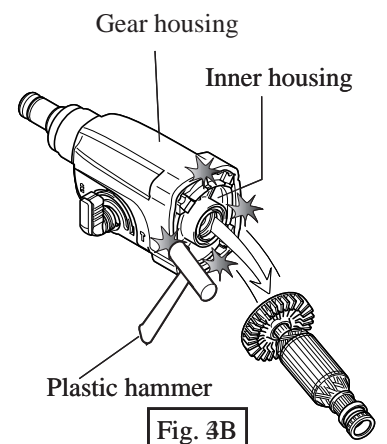


Fig. 3B

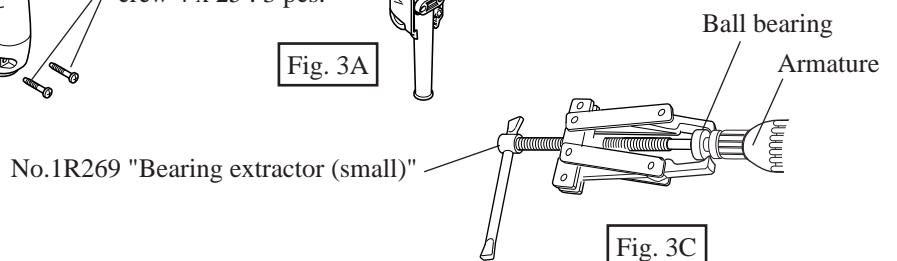
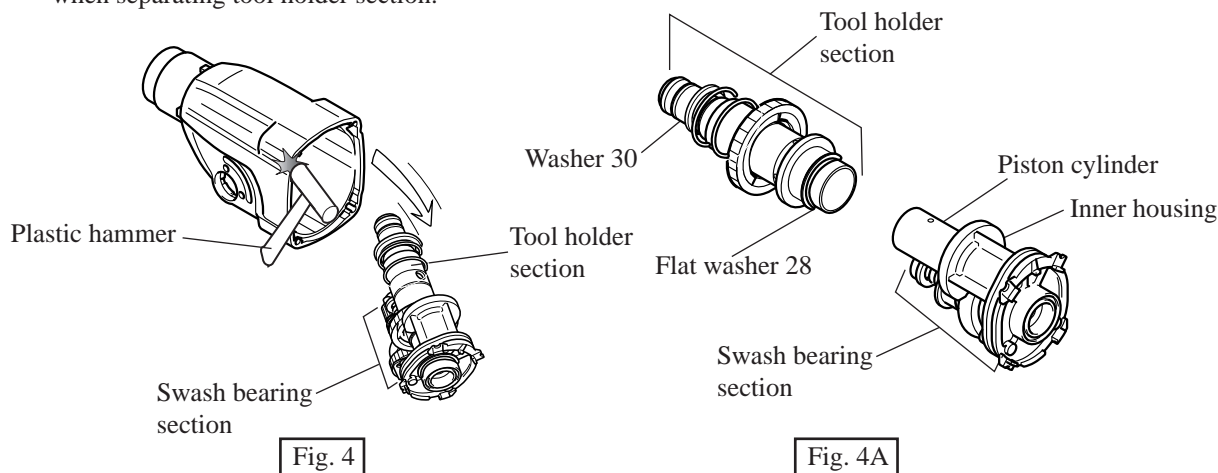


Fig. 3C

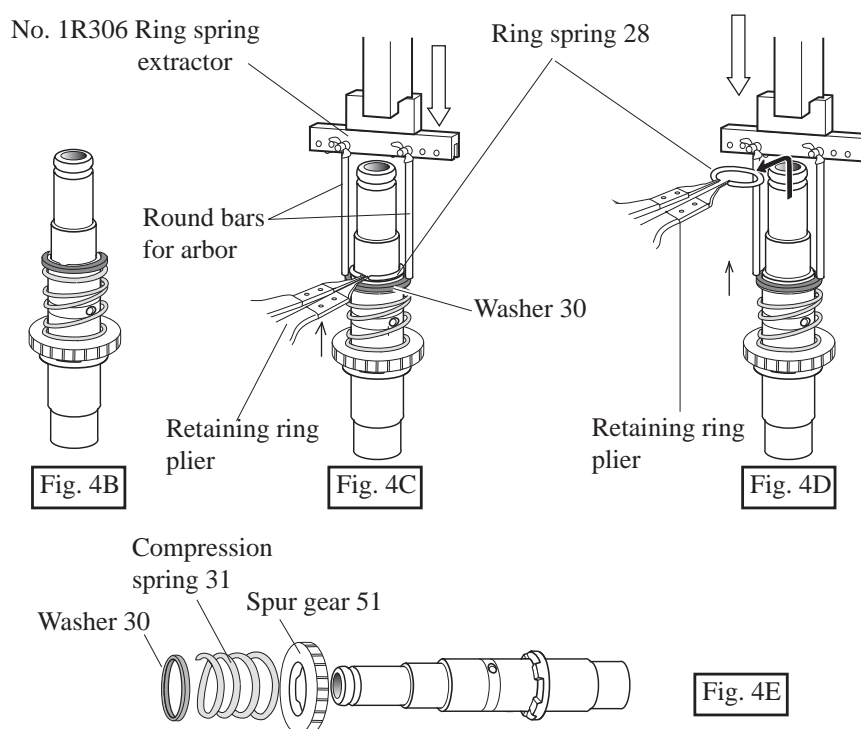
► Repair

< 7 > Disassembling tool holder section

1. Disassemble change lever from gear housing as mentioned in < 4 > Disassembling change lever at page 7.
2. Separate gear housing from motor housing as illustrated in Fig. 3 and Fig. 3A. And disassemble armature as illustrated in Fig. 3B at page 7.
3. Disassemble inner housing from gear housing as illustrated in Fig. 4.
4. Separate tool holder section from inner housing as illustrated in Fig. 4A. Pay attention, not to lose flat washer 28, when separating tool holder section.



5. Ring spring 28 can not be removed without pressing washer 30 down to the spur gear 51 side, because it is almost covered by washer 30. See Fig. 4B.
6. Disassemble ring spring 28 with retaining ring plier, pressing washer 30 down to the spur gear 51 side as illustrated in Fig. 4C and Fig. 4D.
7. Disassemble washer 30, compression spring 31 and spur gear 51 from tool holder as illustrated in Fig. 5E.

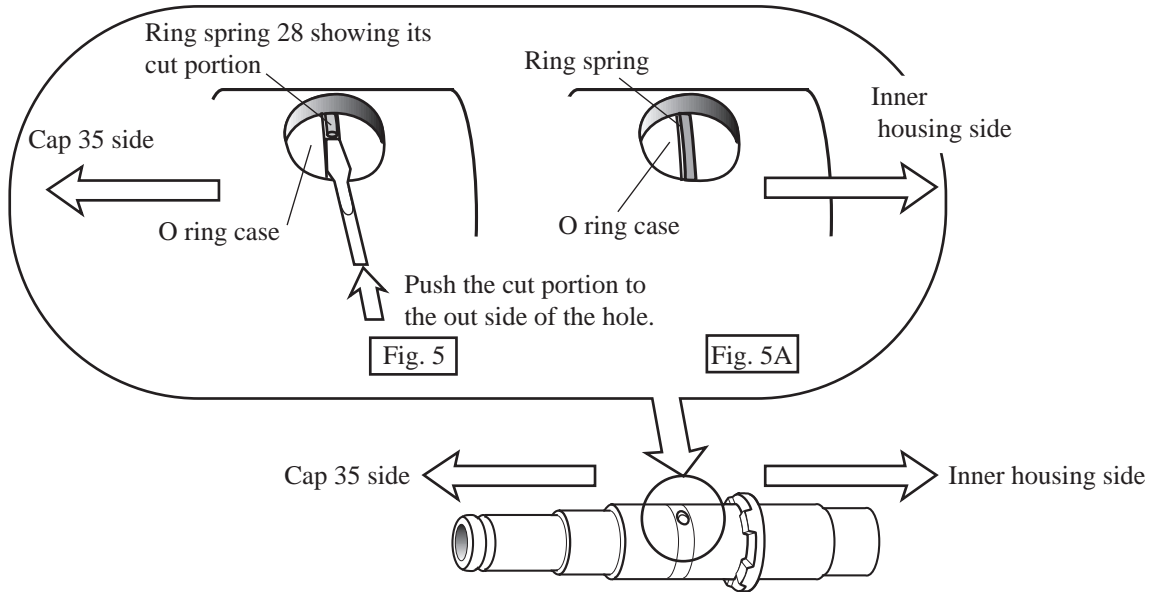


< 8 > Assembling tool holder section

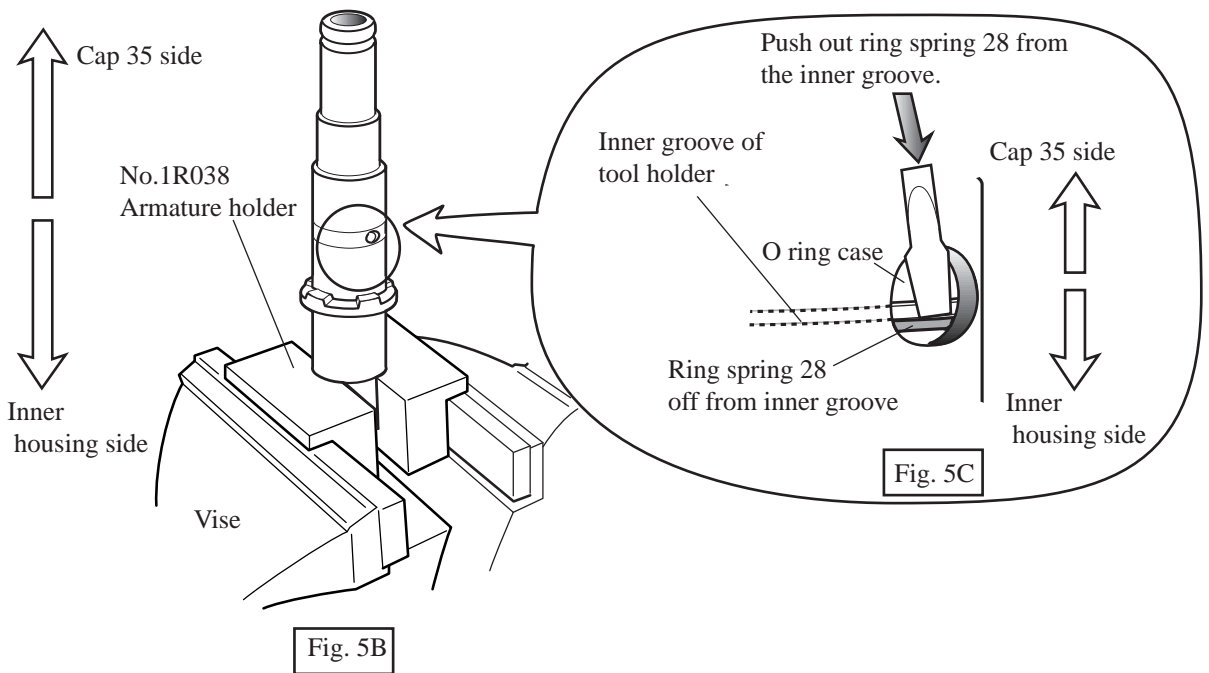
1. Apply grease to spur gear 51 and tool holder referring to < 1 > Lubrication at page 5.
2. Assemble spur gear 5, compression spring 31 and washer 30 to tool holder as illustrated in Fig. 4E.
3. Pressing the washer 30 down to the spur gear 51 side, with arbor press, assemble ring spring 28 as illustrated in Fig. 4D and Fig.4C.
4. Assemble flat washer 28 to the position illustrated in Fig. 4A at page 8.
5. Insert piston cylinder of swash bearing section into tool holder. And assemble tool holder section by pressing into inner housing as illustrated in fig. 4A.

< 9 > Disassembling impact bolt

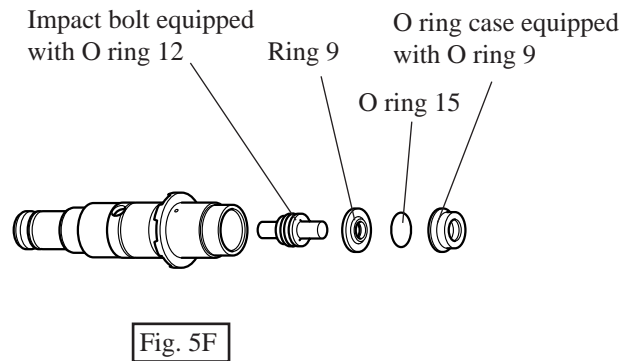
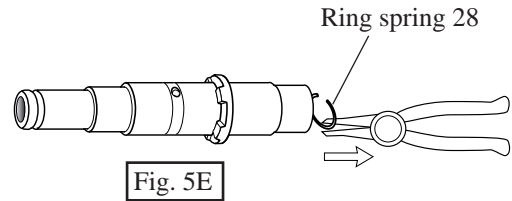
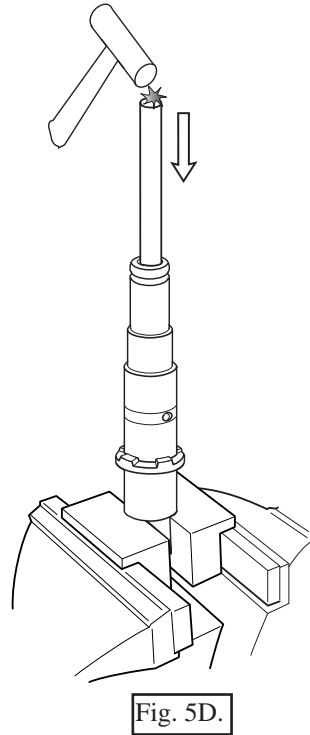
1. Referring to "< 7 > Disassembling tool holder section" at page 8, disassemble ring spring 28, washer 30, compression spring 31 and spur gear 51 from tool holder. See Fig. 4, Fig. 4A, 4B, 4C, D and 4E.
2. Push the cut portion of ring spring 28 to the out side of the hole as illustrated in Fig. 5 and Fig. 5A.



3. Hold tool holder with "No.1R038 Armature holder" and vise as illustrated in Fig. 5B. Insert screwdriver between ring spring 28 and O ring case. and push out ring spring 28 from the inner groove as illustrated in Fig. 5C.

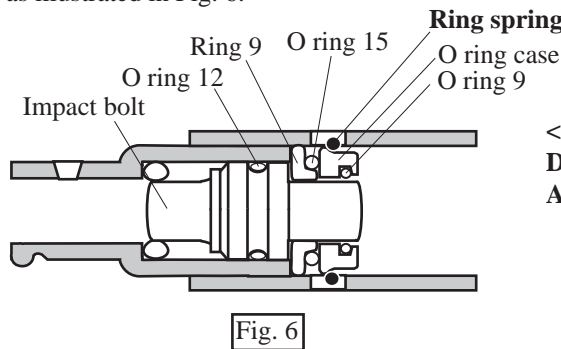


4. Insert "No.1R236 Round bar for arbor" and push ring spring 28 as deep as possible to the inner housing side by striking the round bar for arbor as illustrated in Fig. 5D.
5. Pick up ring spring 28 with plier and take off it from tool holder as illustrated in Fig. 5E.
6. Disassemble the following parts from tool holder as illustrated in Fig. 5F.
 - * O ring case equipped with O ring 9
 - * O ring 15
 - * Ring 9
 - * Impact bolt equipped with O ring 12
7. Clean the inside of tool holder completely.



< 10 > Assembling impact bolt

1. Apply grease to the O rings referring to < 1 > Lubrication at page 5
 - * O ring 9 for O ring case
 - * O ring 15
 - * O ring 12 for impact bolt
2. Insert impact bolt, ring 9, O ring 15 and O ring case with O ring 9 into tool holder as illustrated in Fig. 5F.
3. Assemble ring spring 28 to the inner groove of tool holder by pushing it with screwdriver. Ring spring 28 has to be assembled as illustrated in Fig. 6.



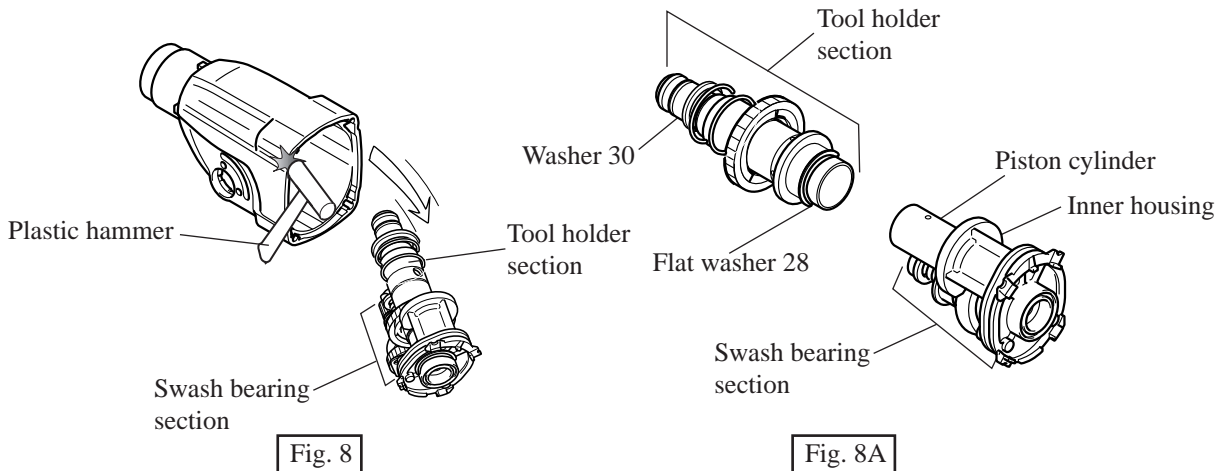
< Note >
**Do not install the used ring spring 28.
 Always assemble the fresh one.**

< 11 > Disassembling swash bearing

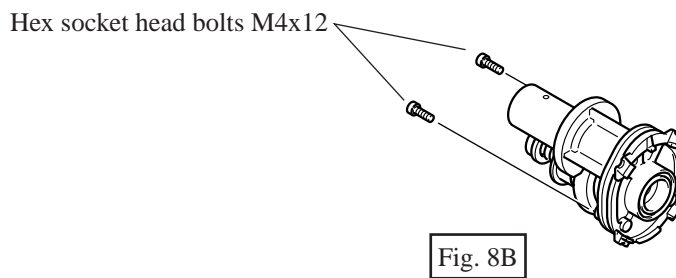
1. Referring to Fig. 3, 3A, 3B at page 7, disassemble the product.

And separate inner housing together with tool holder section and swash bearing section from gear housing as illustrated in Fig. 8 and Fig. 8A. Ball bearing 606ZZ can remain in gear housing in this stage. If so, refer to Fig. 8D.

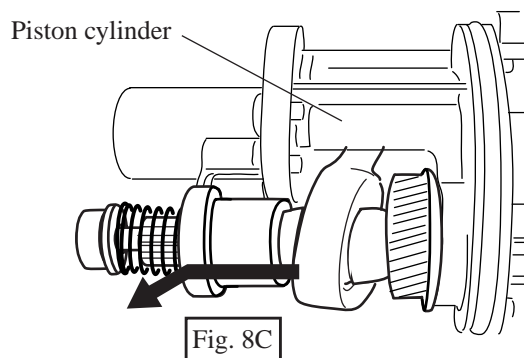
2. Separate tool holder section from inner housing as illustrated in Fig. 8A.



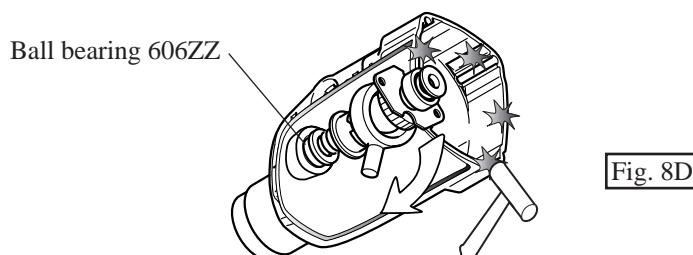
3. Swash bearing section is held in inner housing with bearing retainer which is fastened with 2 pcs. of hex socket head bolts M4x12. Take off these hex socket head bolts M4x12 for disassembling swash bearing section. See Fig. 8B.



4. Bring piston cylinder to the dead point. And, twist the the swash bearing section, with pulling off them from inner housing. Then swash bearing section and change plate can be disassembled from piston cylinder. See Fig. 8C.



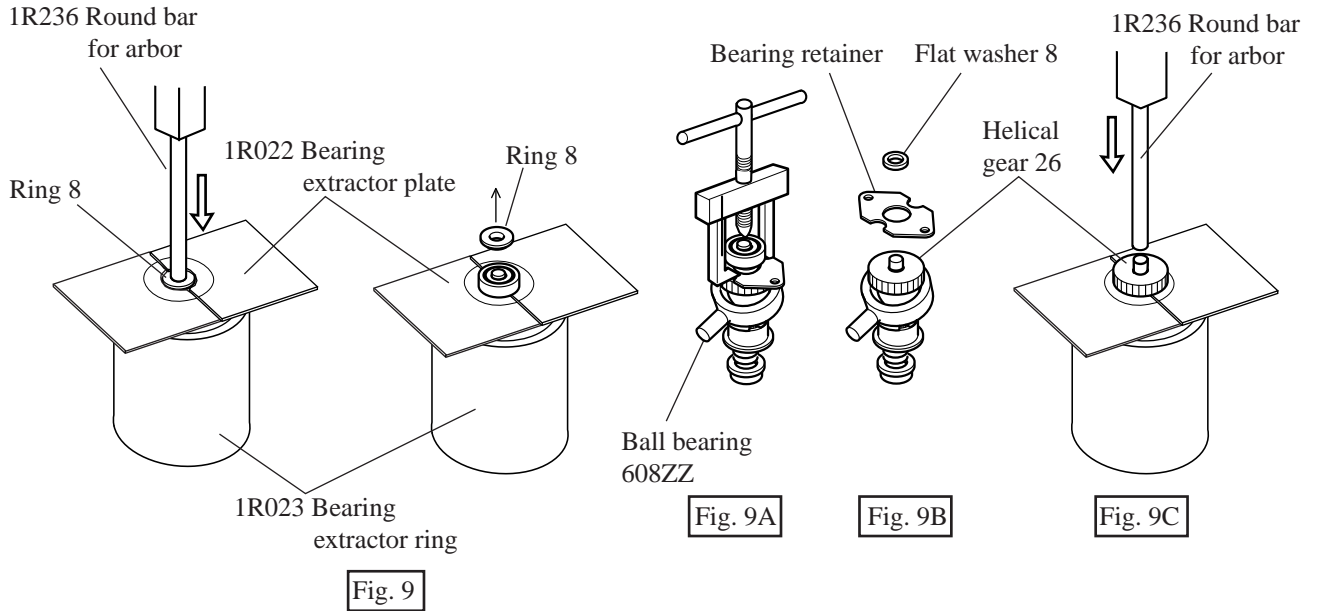
5 If ball bearing 606ZZ remains in gear housing in the step of Fig. 8, reassemble swash bearing section temporarily to gear housing, and hold gear housing as illustrated in Fig. 8D. So, swash bearing section tilts in the direction of arrow. Keeping the illustrated position, disassemble swash bearing section by striking the edge of gear housing with plastic hammer. So, ball bearing 606ZZ can be removed together with swash bearing section.



6. Swash bearing section can not be disassembled in one action by pressing cam shaft with arbor press, because

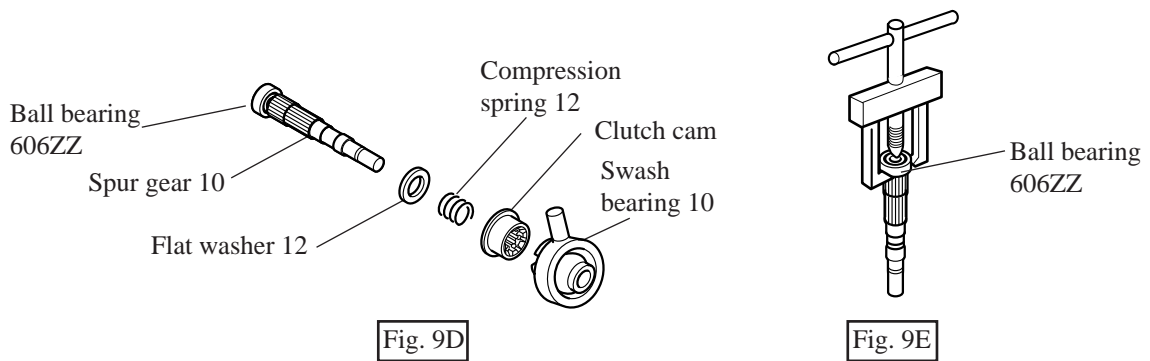
Take the following steps for disassembling them.

1. Disassemble ring 8 by pressing with arbor press as illustrated in Fig. 9.
2. Disassemble ball bearing 608ZZ with bearing extractor as illustrated in Fig. 9A.
3. Disassemble flat washer 8 and bearing retainer as illustrated in Fig. 9B.
4. Disassemble helical gear 26 by pressing with arbor press as illustrated in Fig. 9C.



5. After disassembling helical gear 26, swash bearing 10, clutch cam, compression spring 12 and flat washer 12 can be separated from spur gear 10 as illustrated in Fig. 9.

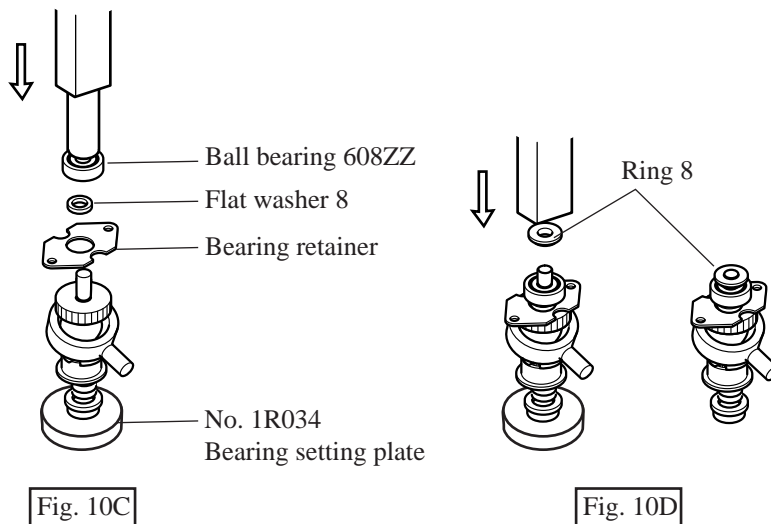
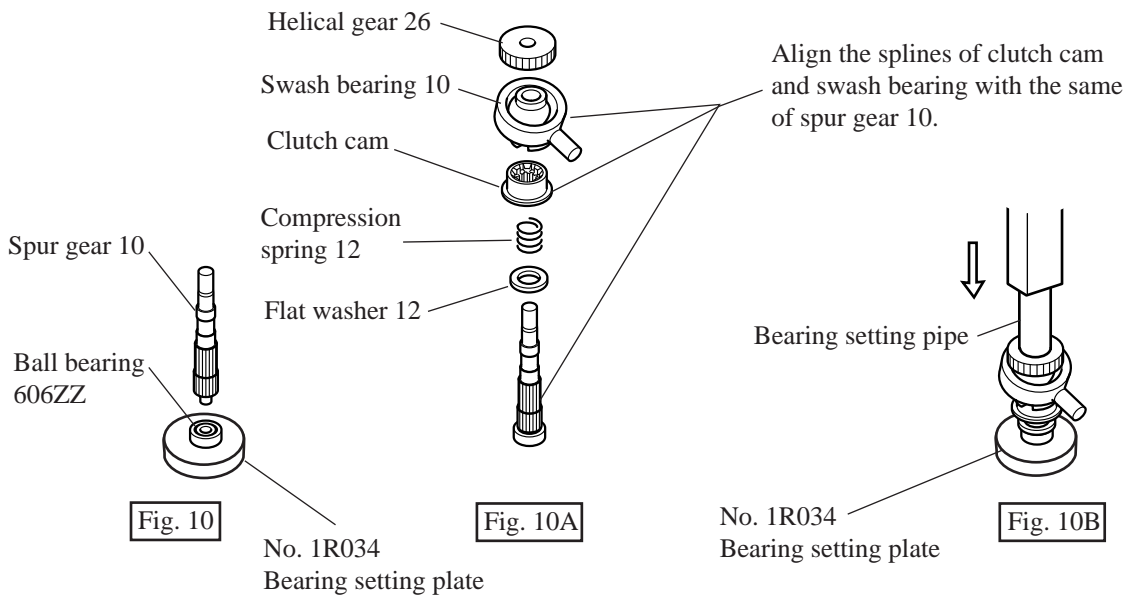
6. Disassemble ball bearing 606ZZ with bearing extractor as illustrated in Fig. 9E.



<12> Assembling swash bearing section

1. Apply grease to the parts of swash bearing section referring to < 1 > Lubrication at page 5.
2. Assemble ball bearing 606ZZ by pressing spur gear 10 with arbor press as illustrated in Fig. 10.
3. Set the parts on spur gear 10 in the following order. See Fig. 10A.
 1. Flat washer 12
 2. Compression spring 12
 3. Clutch cam
 4. Swash bearing 10
 5. Helical gear 26

Align the splines of clutch cam and swash bearing with the same of spur gear 10, when setting them to spur gear 10.
4. Put the above temporarily assembled swash bearing section on the bearing setting plate, and press them with arbor press as illustrated in Fig. 10B.
5. Assemble flat washer 8 and bearing retainer. And then, assembled ball bearing 608ZZ by pressing with arbor press as illustrated in Fig. 10C.
6. Assemble ring 8 by pressing with arbor press as illustrated in Fig. 10D.

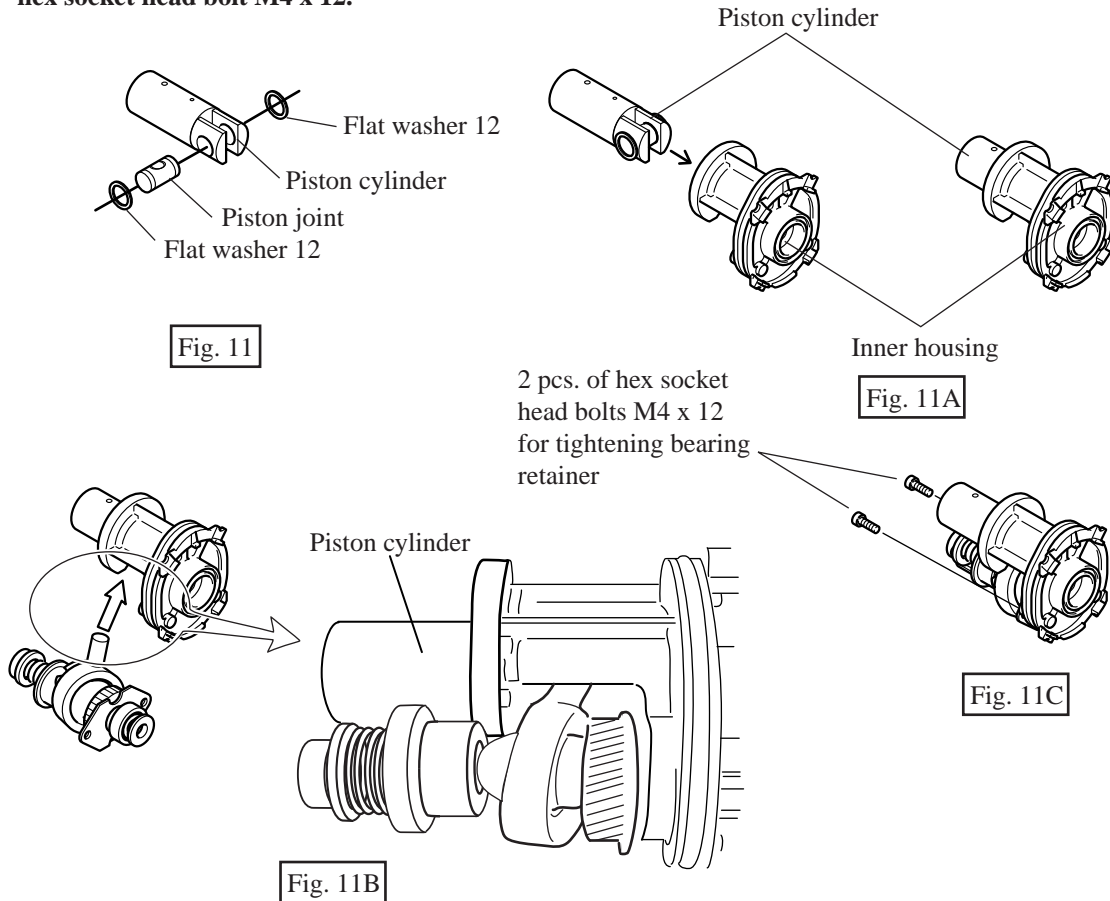


<13> Assembling swash bearing section to piston cylinder

1. Apply MAKITA grease to piston cylinder and swash bearing 10 referring to <1> Lubrication at page 5.
2. Assemble 2 pcs. of flat washers 12 and piston joint to piston cylinder as illustrated in Fig. 11.
3. Insert the above piston cylinder into inner housing as illustrated in Fig. 11A.
4. Moving piston cylinder to the dead point for swash bearing 10, assemble swash bearing 10 to piston cylinder by inserting its pole into the hole of piston joint as illustrated in Fig. 11B.
5. Fasten bearing retainer which has been assembled to swash bearing section in the step of Fig. 10C, with adhesive hex socket head bolt M4 x 12, onto inner housing as illustrated in Fig. 11C. Fig. 11

< Note >

Do not fasten with the used hex socket head bolt M4 x 12. Always use the fresh adhesive hex socket head bolt M4 x 12.

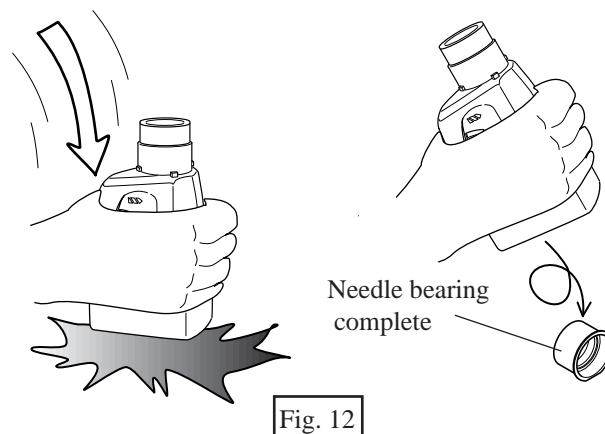


<14> Disassembling needle bearing complete

Strike the work table with gear housing. Then, needle bearing complete can be disassembled from gear housing as illustrated in fig. 12.

< Note >

Cover the work table with something soft to avoid the damage on gear housing, before disassembling.



< 15 > Assembling needle bearing complete

1. Apply MAKITA grease RA No.1 to the inside of needle bearing complete.
2. Putting needle bearing complete on No.1R165 "Ring spring setting tool B" press gear housing onto the needle bearing complete with arbor press as illustrated in Fig. 13.

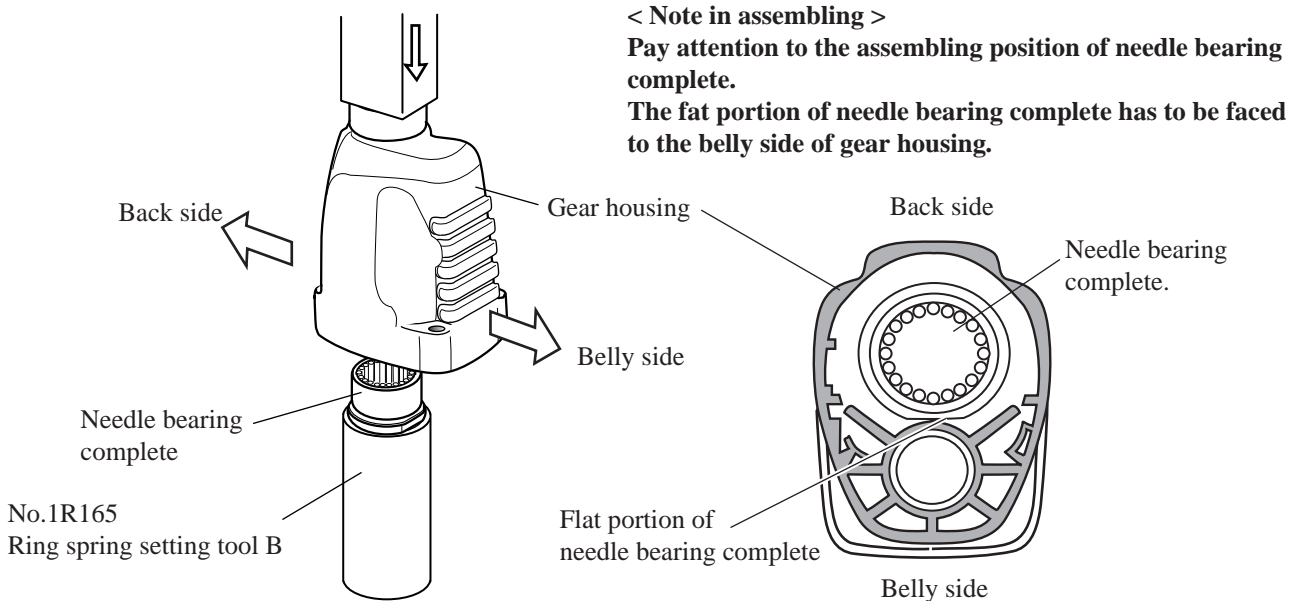


Fig. 13.

< 16 > Replacing electrical parts in handle

Disassemble handle cover by unscrewing 3 pcs. of tapping screws 4x25, and disassemble strain relief by unscrewing 2 pcs. of tapping screws 4x18 as illustrated in Fig.14.
 Then, switch, noise suppressor, power supply cord, etc. can be replaced.

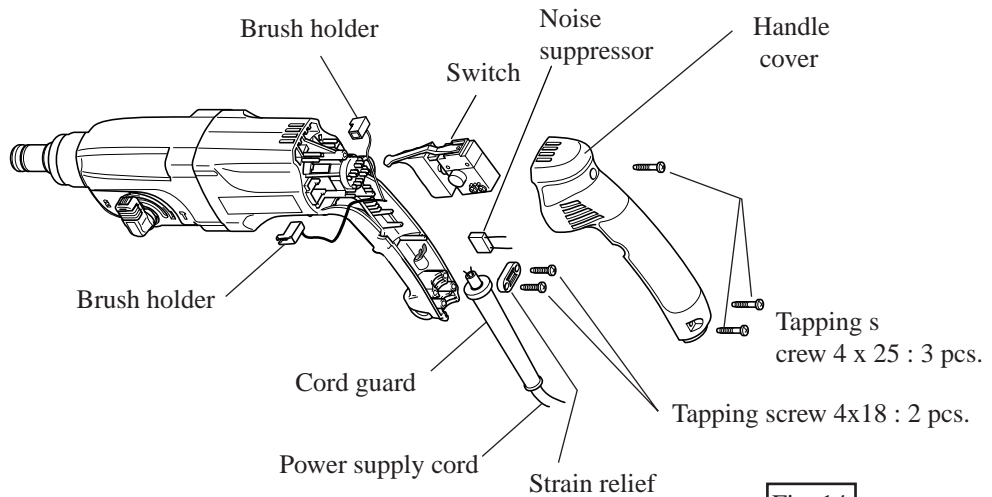


Fig. 14

< 17 > Maintenance

It is recommended to change the following parts, when replacing carbon brushes. See Fig. 15.

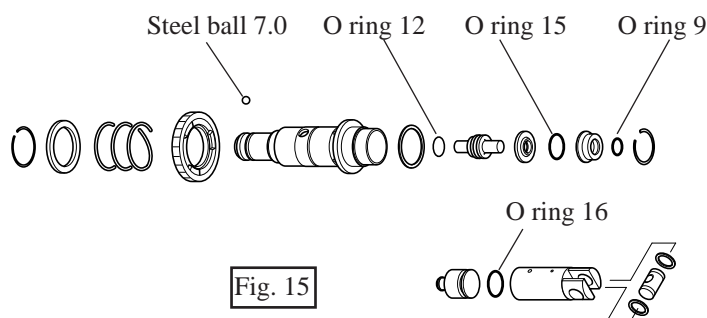
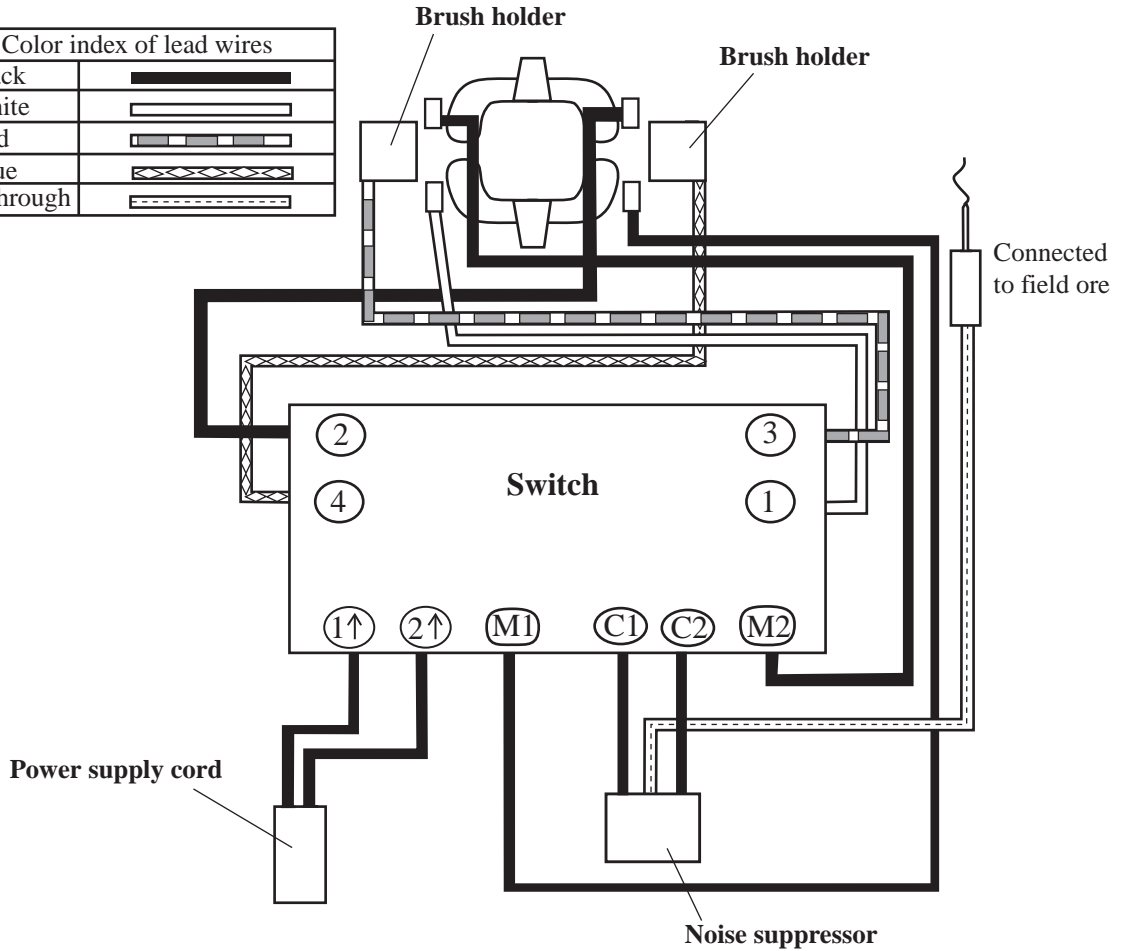


Fig. 15

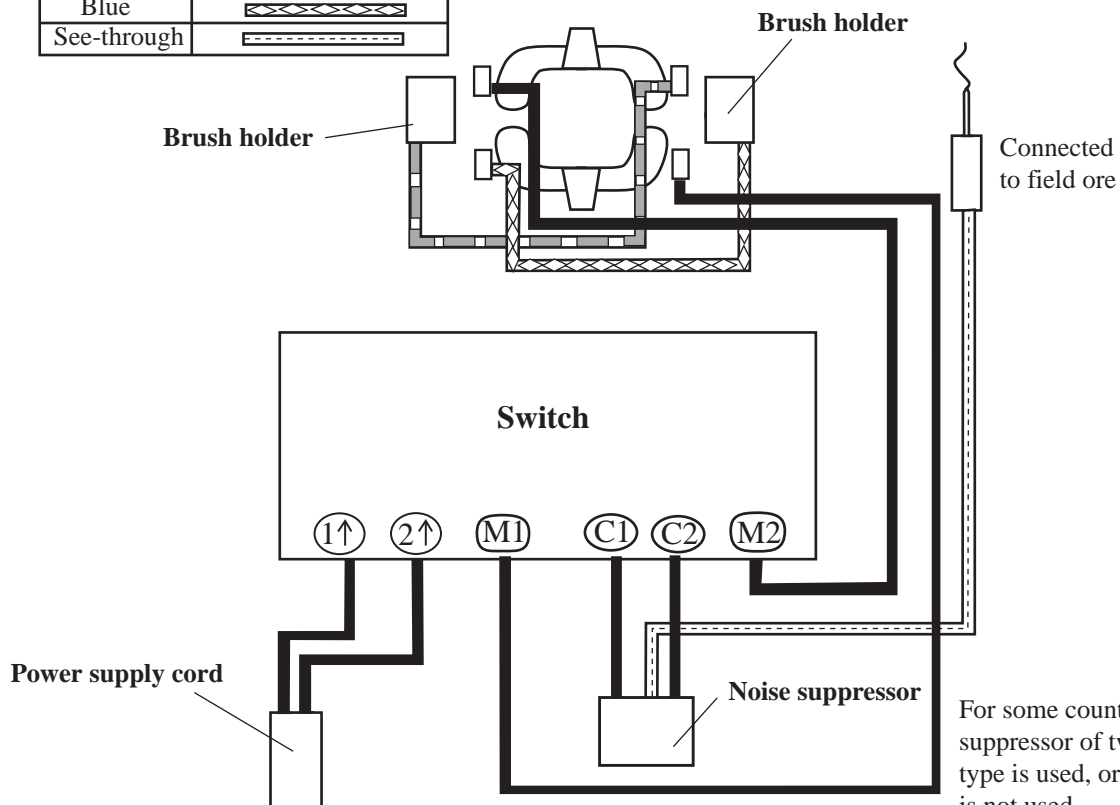
Model HR2440 with reverse switch

Color index of lead wires	
Black	
White	
Red	
Blue	
See-through	



Model HR2441, HR2442 without reverse switch

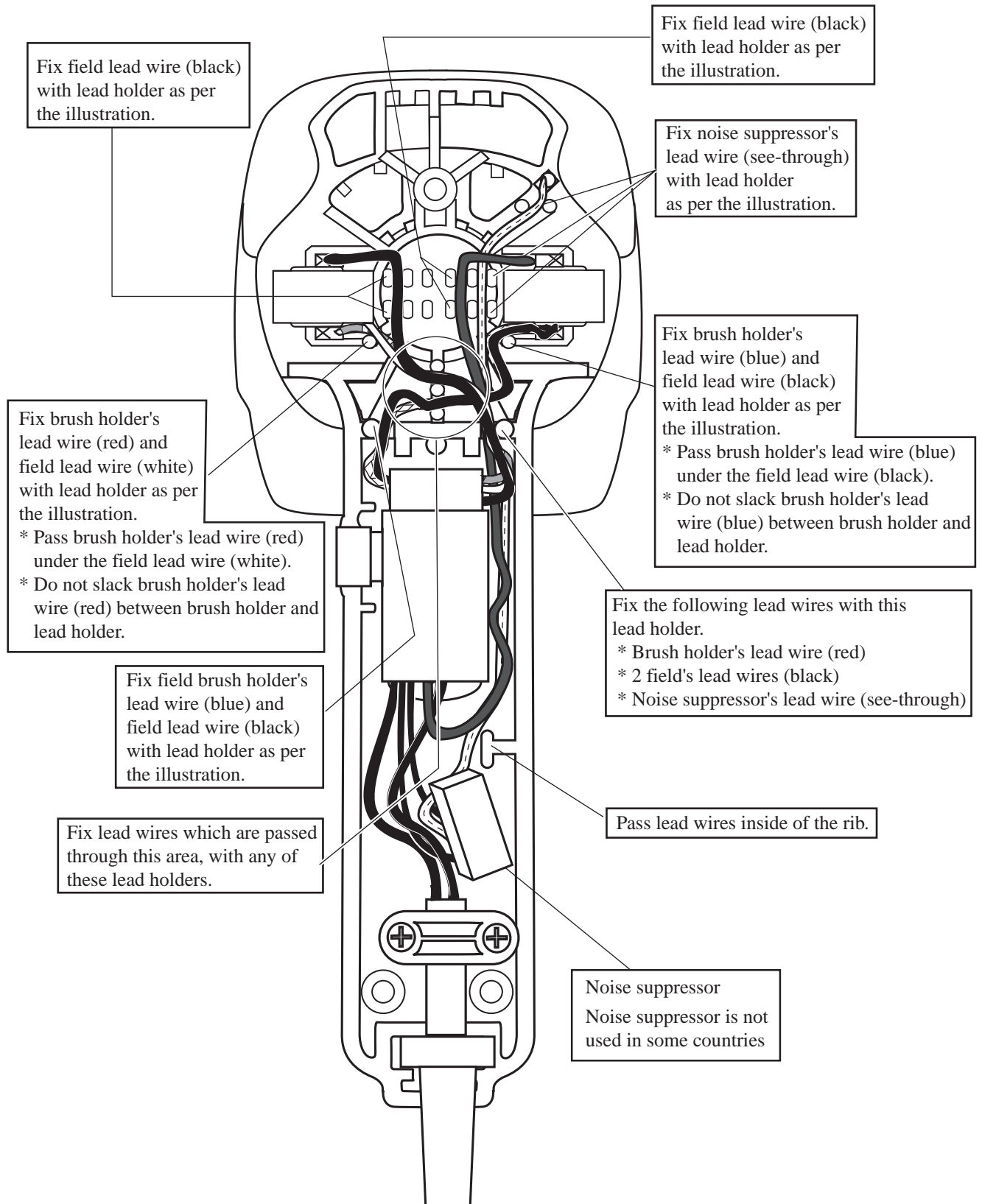
Color index of lead wires	
Black	
Red	
Blue	
See-through	



For some countries, noise suppressor of two lead wire type is used, or noise suppressor is not used.

For some countries, noise suppressor of two lead wire type is used, or noise suppressor is not used.

Model HR2440 with reverse switch



► **Wiring diagram**

Model HR2441, HR2442 without reverse switch

