

**DEWALT®**

[www.DEWALT.eu](http://www.DEWALT.eu)

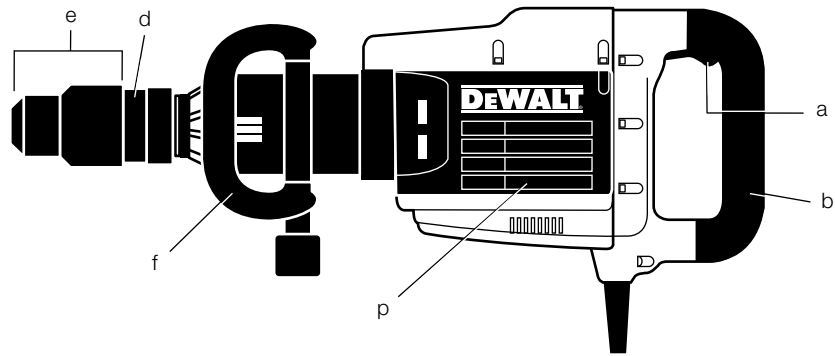
**D25899**

**D25901**

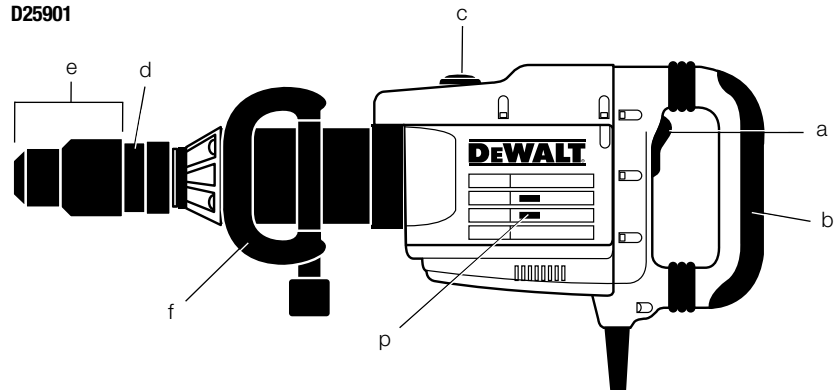
**D25941**

Figure 1

D25899



D25901



D25941

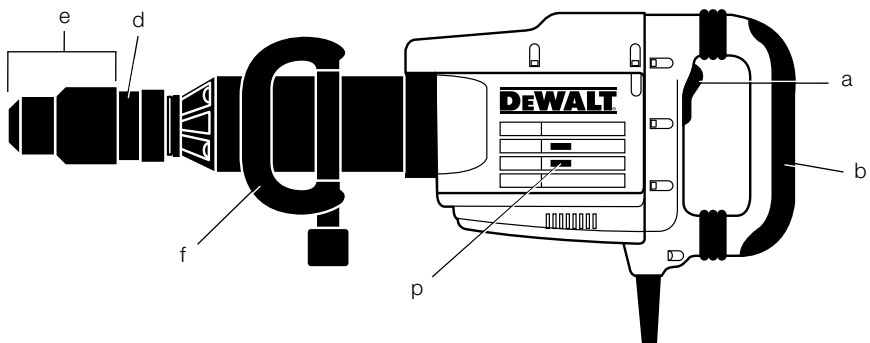


Figure 2

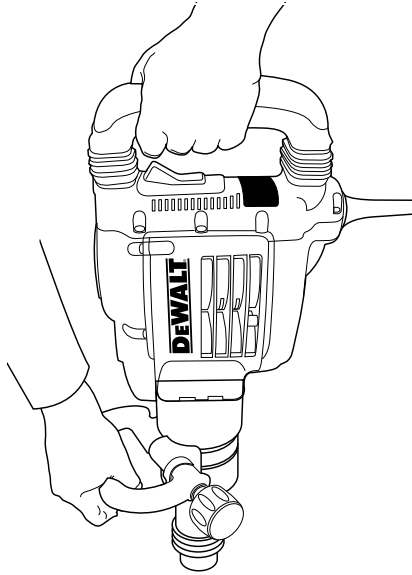


Figure 3

D25899  
D25901

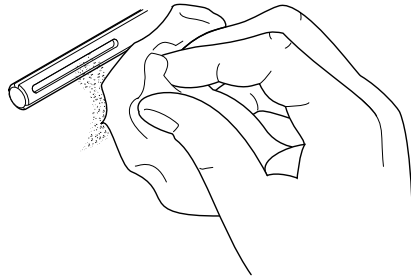


Figure 4

D25899  
D25901

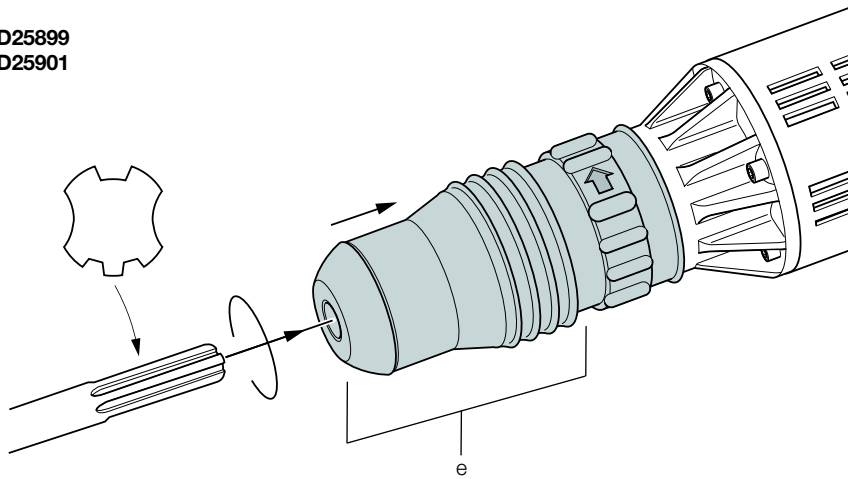


Figure 5

D25941

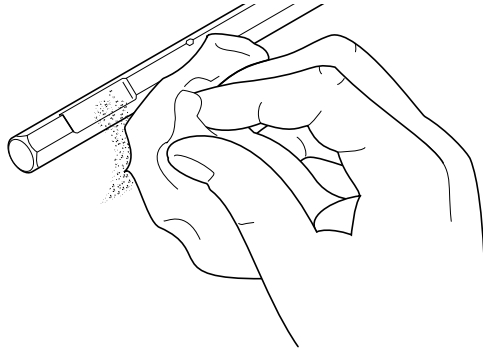


Figure 6

D25941

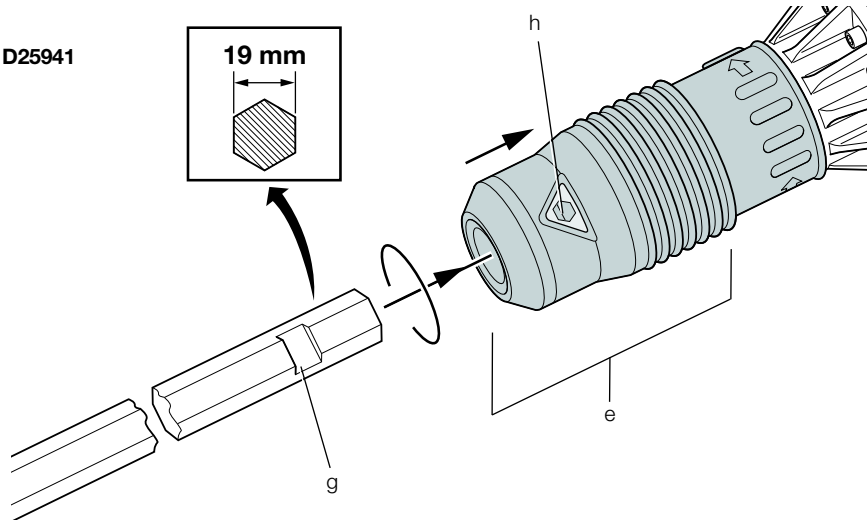


Figure 7

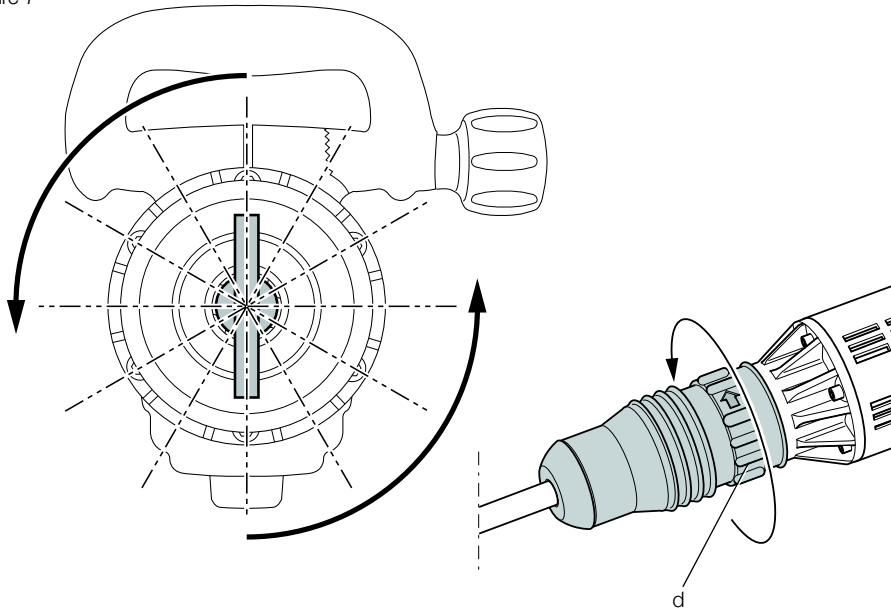


Figure 8

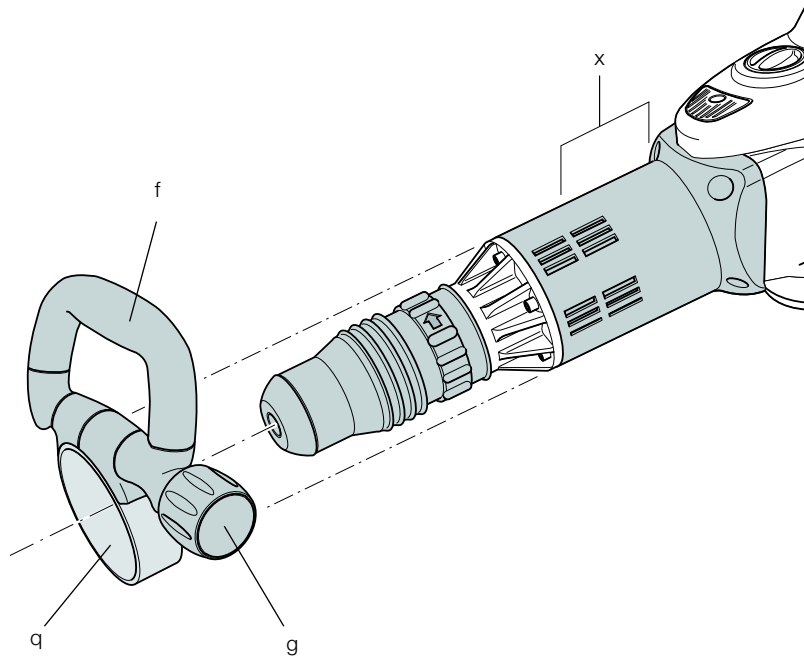
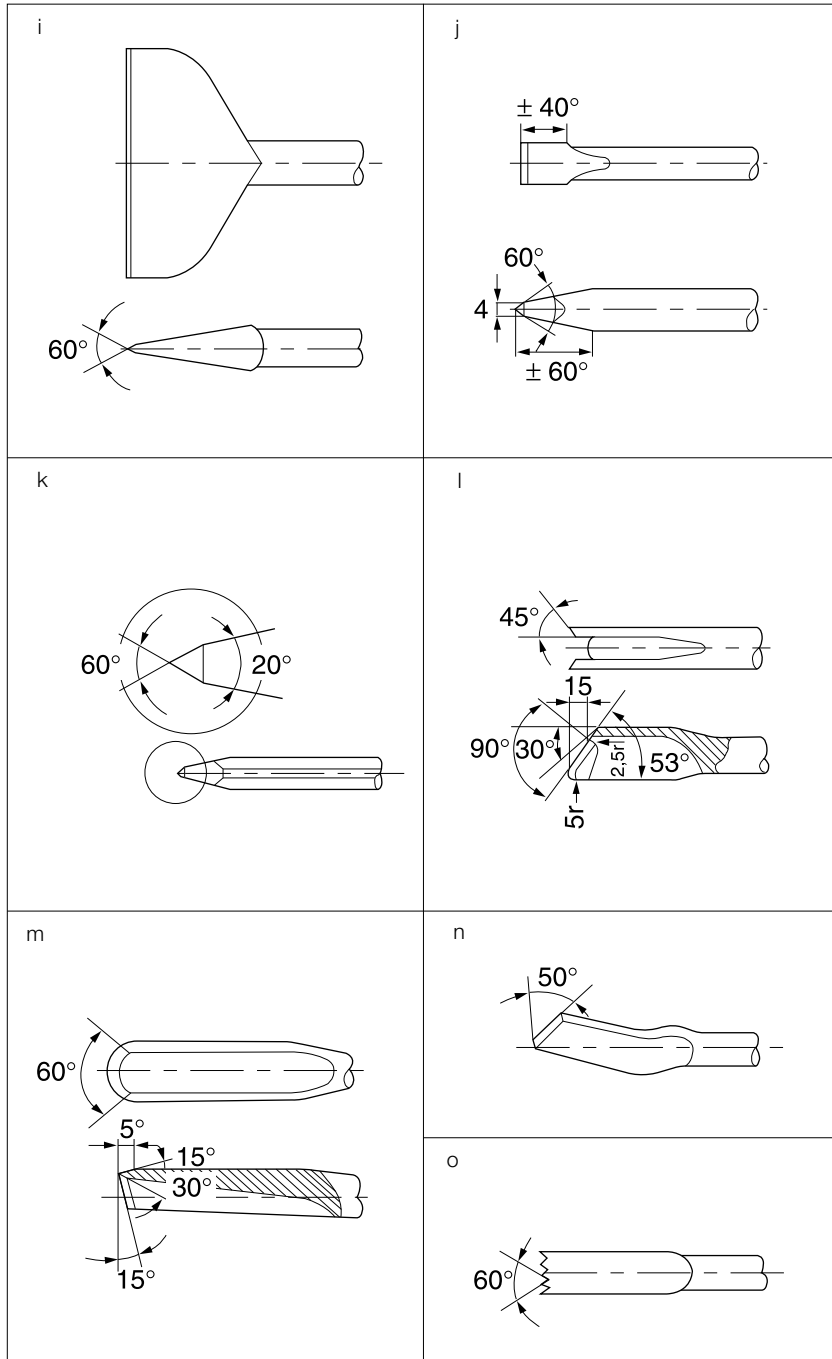


Figure 9



## DEMOLITION HAMMER D25899, D25901, D25941

### Congratulations!

You have chosen a DEWALT power tool. Years of experience, thorough product development and innovation make DEWALT one of the most reliable partners for professional power tool users.

### Technical Data

		D25899	D25901	D25941
Voltage	V	230	230	230
U.K. & Ireland only	V	230 or 115	230 or 115	230 or 115
Type		1	1	1
Frequency	Hz	50	50	50
Current	A	7.2/15.0	8.5/14.8	8.9/15.5
Power input	W	1,500	1,500	1,600
Impact rate	min <sup>-1</sup>	2,040	1,040 - 2,040	1,620
Impact energy (EPTA 05/2009)	J	17.9	17.9	22.5
Tool holder		SDS Max®	SDS Max®	19 mm Hex
Chisel positions		12	12	12
Weight	kg	9.9	10.9	13.8

		D25899 (230 V)	D25899 (115 V)	D25901 (230 V)	D25901 (115 V)	D25941 (230 V)	D25941 (115 V)
L <sub>PA</sub> (sound pressure)	dB(A)	86	86	89	89	91	91
K <sub>PA</sub> (sound pressure uncertainty)	dB(A)	3	3	3	3	3	3
L <sub>WA</sub> (sound power)	dB(A)	100	100	100	100	102	102
K <sub>WA</sub> (sound power uncertainty)	dB(A)	3	3	3	3	3	3

Vibration total values (triax vector sum) determined according to EN 60745:

#### Chiselling

Vibration emission value $a_{h,Chelq} =$	m/s <sup>2</sup>	12	12	7.9	7.9	8.8	8.8
Uncertainty K =	m/s <sup>2</sup>	1.5	1.5	1.7	1.7	1.5	1.5

The vibration emission level given in this information sheet has been measured in accordance with a standardised test given in EN 60745 and may be used to compare one tool with another. It may be used for a preliminary assessment of exposure.



**WARNING:** The declared vibration emission level represents the main applications of the tool. However if the tool is used for different applications, with different accessories or poorly maintained, the vibration emission may differ. This may significantly increase the exposure level over the total working period.

An estimation of the level of exposure to vibration should also take into account

the times when the tool is switched off or when it is running but not actually doing the job. This may significantly reduce the exposure level over the total working period.

Identify additional safety measures to protect the operator from the effects of vibration such as: maintain the tool and the accessories, keep the hands warm, organisation of work patterns.

#### Fuses:

Europe	230 V tools	10 Amperes, mains
U.K. & Ireland	230 V tools	13 Amperes, in plugs

## ENGLISH

### Definitions: Safety Guidelines

The definitions below describe the level of severity for each signal word. Please read the manual and pay attention to these symbols.



**DANGER:** Indicates an imminently hazardous situation which, if not avoided, will result in **death or serious injury**.



**WARNING:** Indicates a potentially hazardous situation which, if not avoided, **could result in death or serious injury**.



**CAUTION:** Indicates a potentially hazardous situation which, if not avoided, **may result in minor or moderate injury**.

**NOTICE:** Indicates a practice **not related to personal injury** which, if not avoided, **may result in property damage**.



Denotes risk of electric shock.



Denotes risk of fire.

### EC-Declaration of Conformity

MACHINERY DIRECTIVE  
OUTDOOR NOISE DIRECTIVE



D25899, D25901, D25941

DEWALT declares that these products described under **Technical Data** are in compliance with: 2006/42/EC, EN 60745-1, EN 60745-2-6;

2000/14/EC, Electrical concrete breaker (hand-held), m ≤ 15 kg, Annex VIII, TÜV Rheinland Product Safety GmbH (0197), D-51105 Köln, Germany, Notified Body ID No.: 0197

Level of sound power according to 2000/14/EC (Article 12, Annex III, No. 10; m ≤ 15 kg):

L <sub>WA</sub> (measured sound power level)			
D25899, D25901	dB	100	
D25941	dB	102	

L <sub>WA</sub> (guaranteed sound power level)	dB	105	
--	----	-----	--

These products also comply with Directive 2004/108/EC. For more information, please contact DEWALT at the following address or refer to the back of the manual.

The undersigned is responsible for compilation of the technical file and makes this declaration on behalf of DEWALT.

Horst Grossmann  
Vice President Engineering and Product Development  
DEWALT, Richard-Klinger-Straße 11,  
D-65510, Idstein, Germany  
20.02.2011



**WARNING:** To reduce the risk of injury, read the instruction manual.

### General Power Tool Safety Warnings



**WARNING! Read all safety warnings and instructions** Failure to follow the warnings and instructions may result in electric shock, fire and/or serious injury.

#### SAVE ALL WARNINGS AND INSTRUCTIONS FOR FUTURE REFERENCE

The term "power tool" in the warnings refers to your mains-operated (corded) power tool or battery-operated (cordless) power tool.

#### 1) WORK AREA SAFETY

- Keep work area clean and well lit.** Cluttered or dark areas invite accidents.
- Do not operate power tools in explosive atmospheres, such as in the presence of flammable liquids, gases or dust.** Power tools create sparks which may ignite the dust or fumes.
- Keep children and bystanders away while operating a power tool.** Distractions can cause you to lose control.

#### 2) ELECTRICAL SAFETY

- Power tool plugs must match the outlet. Never modify the plug in any way. Do not use any adapter plugs with earthed (grounded) power tools.** Unmodified plugs and matching outlets will reduce risk of electric shock.
- Avoid body contact with earthed or grounded surfaces such as pipes, radiators, ranges and refrigerators.** There is an increased risk of electric shock if your body is earthed or grounded.



- c) **Do not expose power tools to rain or wet conditions.** Water entering a power tool will increase the risk of electric shock.
- d) **Do not abuse the cord. Never use the cord for carrying, pulling or unplugging the power tool. Keep cord away from heat, oil, sharp edges or moving parts.** Damaged or entangled cords increase the risk of electric shock.
- e) **When operating a power tool outdoors, use an extension cord suitable for outdoor use.** Use of a cord suitable for outdoor use reduces the risk of electric shock.
- f) **If operating a power tool in a damp location is unavoidable, use a residual current device (RCD) protected supply.** Use of an RCD reduces the risk of electric shock.

### 3) PERSONAL SAFETY

- a) **Stay alert, watch what you are doing and use common sense when operating a power tool. Do not use a power tool while you are tired or under the influence of drugs, alcohol or medication.** A moment of inattention while operating power tools may result in serious personal injury.
- b) **Use personal protective equipment. Always wear eye protection.** Protective equipment such as dust mask, non-skid safety shoes, hard hat, or hearing protection used for appropriate conditions will reduce personal injuries.
- c) **Prevent unintentional starting. Ensure the switch is in the off position before connecting to power source and/or battery pack, picking up or carrying the tool.** Carrying power tools with your finger on the switch or energising power tools that have the switch on invites accidents.
- d) **Remove any adjusting key or wrench before turning the power tool on.** A wrench or a key left attached to a rotating part of the power tool may result in personal injury.
- e) **Do not overreach. Keep proper footing and balance at all times.** This enables better control of the power tool in unexpected situations.
- f) **Dress properly. Do not wear loose clothing or jewellery. Keep your hair, clothing and gloves away from moving parts.** Loose clothes, jewellery or long hair can be caught in moving parts.
- g) **If devices are provided for the connection of dust extraction and collection facilities, ensure these are connected and properly used.** Use of dust collection can reduce dust-related hazards.

### 4) POWER TOOL USE AND CARE

- a) **Do not force the power tool. Use the correct power tool for your application.** The correct power tool will do the job better and safer at the rate for which it was designed.
- b) **Do not use the power tool if the switch does not turn it on and off.** Any power tool that cannot be controlled with the switch is dangerous and must be repaired.
- c) **Disconnect the plug from the power source and/or the battery pack from the power tool before making any adjustments, changing accessories, or storing power tools.** Such preventive safety measures reduce the risk of starting the power tool accidentally.
- d) **Store idle power tools out of the reach of children and do not allow persons unfamiliar with the power tool or these instructions to operate the power tool.** Power tools are dangerous in the hands of untrained users.
- e) **Maintain power tools. Check for misalignment or binding of moving parts, breakage of parts and any other condition that may affect the power tool's operation. If damaged, have the power tool repaired before use.** Many accidents are caused by poorly maintained power tools.
- f) **Keep cutting tools sharp and clean.** Properly maintained cutting tools with sharp cutting edges are less likely to bind and are easier to control.
- g) **Use the power tool, accessories and tool bits etc., in accordance with these instructions taking into account the working conditions and the work to be performed.** Use of the power tool for operations different from those intended could result in a hazardous situation.

### 5) SERVICE

- a) **Have your power tool serviced by a qualified repair person using only identical replacement parts.** This will ensure that the safety of the power tool is maintained.

### Additional Safety Instructions for Demolition Hammers

- **Wear ear protectors.** Exposure to noise can cause hearing loss.

## ENGLISH

- **Use auxiliary handles supplied with the tool.**  
*Loss of control can cause personal injury.*
- **Hold power tools by insulated gripping surfaces when performing an operation where the cutting tool may contact hidden wiring or its own cord.** *Cutting accessory contacting a "live" wire may make exposed metal parts of the tool "live" and shock the operator.*
- *Be certain that the material being drilled does not conceal electric or gas service and that their locations have been verified with the utility companies.*
- *Keep a firm grip on the tool at all times. Do not attempt to operate this tool without holding it with both hands. Operating this tool with one hand will result in loss of control. Breaking through or encountering hard materials such as re-bar may be hazardous as well. Tighten the side handle securely before use.*
- *Ensure the chisel is secured in place before operating the tool.*
- *In cold-weather conditions or when the tool has not been used for a longer period of time, let the tool run with no load for several minutes before use.*
- *When working above ground level ensure the area below is clear.*
- *Do not touch the chisel or the parts close to the chisel immediately after operation, as they may be extremely hot and cause burns to the skin.*
- *Always direct the power cable to the rear, away from the chisel.*
- **Do not operate this tool for long periods of time.** *Vibration caused by hammer action may be harmful to your hands and arms. Use gloves to provide extra cushion and limit exposure by taking frequent rest periods.*

### Residual Risks

The following risks are inherent to the use of demolition hammers:

- *Injuries caused by touching the hot parts of the tool.*

In spite of the application of the relevant safety regulations and the implementation of safety devices, certain residual risks cannot be avoided. These are:

- *Impairment of hearing.*
- *Risk of squeezing fingers when changing the accessory.*

- *Health hazards caused by breathing dust developed when working in concrete and/or masonry.*

### Markings on Tool

The following pictograms are shown on the tool:



Read instruction manual before use.



Wear ear protection.



Wear eye protection.

### DATE CODE POSITION (FIG. 1)

The Date Code (p), which also includes the year of manufacture, is printed into the housing.

Example:

2011 XX XX  
Year of Manufacture

### Package Contents

The package contains:

- 1 Demolition hammer
  - 1 Side handle
  - 1 Pointed chisel (D25901, D25941)
  - 1 Plastic case
  - 1 Instruction manual
  - 1 Exploded drawing
- *Check for damage to the tool, parts or accessories which may have occurred during transport.*
  - *Take the time to thoroughly read and understand this manual prior to operation.*

### Description (fig. 1)

- a. On/off switch
- b. Main handle
- c. Electronic impact energy control dial (D25901)
- d. Chisel position index collar
- e. Tool holder/sleeve
- f. Side handle

**INTENDED USE**

The D25899, D25901 and D25941 heavy-duty demolition hammers are designed for heavy-duty demolition, chipping and chasing applications.

**DO NOT** use under wet conditions or in presence of flammable liquids or gases.

These heavy-duty demolition hammers are professional power tools. **DO NOT** let children come into contact with the tool. Supervision is required when inexperienced operators use this tool.

**Soft Start Feature****D25901, D25941**

The soft start feature allows the impact rate to build up more slowly, thus preventing the chisel or point from “bouncing” around on the masonry when starting up.

**Active Vibration Control****D25901, D25941**

The active vibration control neutralises rebound vibration from the hammer mechanism. Lowering hand and arm vibration, it allows more comfortable use for longer periods of time and extends the life of the unit.

**Electronic Impact Energy Control (fig. 1)****D25901 ONLY**

The electronic impact energy control (c) offers the following advantages:

- use of smaller accessories without risk of breakage
- minimised break-out when chiselling soft or brittle materials
- optimal tool control for precise chiselling

**Electrical Safety**

The electric motor has been designed for one voltage only. Always check that the power supply corresponds to the voltage on the rating plate.



Your DEWALT tool is double insulated in accordance with EN 60745; therefore no earth wire is required.

If the supply cord is damaged, it must be replaced by a specially prepared cord available through the DEWALT service organization.

**Mains Plug Replacement (U.K. & Ireland Only)**

If a new mains plug needs to be fitted:

- Safely dispose of the old plug.
- Connect the brown lead to the live terminal in the plug.
- Connect the blue lead to the neutral terminal.



**WARNING:** No connection is to be made to the earth terminal.

Follow the fitting instructions supplied with good quality plugs. Recommended fuse: 13 A.

For 115 V units with a power rating exceeding 1500 W, we recommend to fit a plug to BS4343 standard.



**WARNING:** 115 V units have to be operated via a fail-safe isolating transformer with an earth screen between the primary and secondary winding.

**Using an Extension Cable**

If an extension cable is required, use an approved 3-core extension cable suitable for the power input of this tool (see **Technical Data**). The minimum conductor size is 1.5 mm<sup>2</sup>; the maximum length is 30 m.

When using a cable reel, always unwind the cable completely.

**ASSEMBLY AND ADJUSTMENT**

**WARNING:** To reduce the risk of injury, turn unit off and disconnect machine from power source before installing and removing accessories, before adjusting or changing set-ups or when making repairs. Be sure the trigger switch is in the OFF position. An accidental start-up can cause injury.



**WARNING:** Always wear gloves when changing accessories. The exposed metal parts on the tool and accessory may become extremely hot during operation.

**Inserting and Removing SDS Max® Accessories (fig. 3, 4)****D25899, D25901**

This machine uses SDS Max® chisels (refer to the inset in fig. 4 for a cross-section of a chisel shank).

Only DEWALT recommended accessories should be used with this product.

## ENGLISH

1. Clean the chisel shank.



**WARNING:** Do not apply lubricant to the machine.

2. Insert the chisel shank into the tool holder/sleeve (e). Press and turn the chisel slightly until the sleeve snaps into position.
3. Pull on the chisel to check if it is properly locked. The hammering function requires the chisel to be able to move axially several centimetres when locked in the tool holder.
4. To remove a chisel, pull back the tool holder/sleeve (e) and pull the chisel out of the tool holder.

### Inserting and Removing 19 mm Hex Accessories (fig. 5, 6)

D25941

This machine uses chisels with a 19 mm hex. shank (refer to the inset in fig. 6 for a cross-section of a chisel shank).

Only DEWALT recommended accessories should be used with this product.

1. Clean the chisel shank.



**WARNING:** Do not apply lubricant to the machine.

2. Pull back the tool holder/sleeve (e), align the groove (g) with the yellow marker (h) and insert the chisel shank into the tool holder. Release the locking sleeve.
3. Pull on the chisel to check if it is properly locked. The hammering function requires the chisel to be able to move axially several centimetres when locked in the tool holder.
4. To remove a chisel, pull back the tool holder/sleeve (e) and pull the chisel out of the tool holder.

### Indexing the Chisel Position (fig. 7)

The chisel can be indexed and locked into 12 different positions.

1. Insert the chisel as described above.
2. Rotate the chisel position collar (d) in the direction of the arrow until the chisel is in the desired position.

### Setting the Electronic Impact Power Control Dial (fig. 1)

D25901

Turn the dial (c) to the desired level. The higher the number, the greater the impact energy. With dial

settings from «1» (low) to «7» (full power) the tool is extremely versatile and adaptable for many different applications.

The required setting is a matter of experience, for example:

- when chiselling soft, brittle materials or when minimum break-out is required, set the dial to «1» or «2» (low);
- when breaking harder materials, set the dial to «7» (full power).

### Fitting and Adjusting the Side Handle (fig. 8)

The side handle (f) can be mounted on the front of the machine to suit both RH- and LH-users.



**WARNING:** Always operate the machine with the side handle properly mounted.

1. Unscrew the side handle clamp knob (g).
2. Slide the side handle assembly onto the machine locating the steel ring (q) in the mounting area (x). The correct position of the side handle is between head and middle of the tube.
3. Adjust the side handle (f) to the desired angle.
4. Slide and rotate the side handle to the desired position.
5. Lock the side handle in place by tightening the clamp knob (g).

## OPERATION

### Instructions for Use



**WARNING:**

- Always observe the safety instructions and applicable regulations.
- Be aware of the location of pipework and wiring.
- Apply a pressure of approx. 20–30 kg to the tool. Excessive force does not speed up chiselling but decreases tool performance and may shorten tool life.

### Proper Hand Position (fig. 1, 2)



**WARNING:** To reduce the risk of serious personal injury, **ALWAYS** use proper hand position as shown.



**WARNING:** To reduce the risk of serious personal injury, **ALWAYS** hold securely in anticipation of a sudden reaction.

Proper hand position requires one hand on the side handle (f), with the other hand on the main handle (b).

### Switching On and Off (fig. 1)

Switching on: set the on/off switch (a) to position 1.

Switching off: set the on/off switch (a) to position 0.

### Demolition, Chasing and Channelling (fig. 1)

1. Select the appropriate chisel and clean.
2. Insert the chisel and check whether it is properly locked.
3. Set the desired impact energy level.
4. Fit and adjust the side handle (f) and make sure it is firmly tightened.
5. Hold the tool at both handles (b, f) and switch on. The tool now runs in continuous operation.
6. Always switch off the tool when work is finished and before unplugging.

Various types of chisels are available as an option.

Only DEWALT recommended accessories should be used with this product.

### MAINTENANCE

Your DEWALT power tool has been designed to operate over a long period of time with a minimum of maintenance. Continuous satisfactory operation depends upon proper tool care and regular cleaning.

This machine is not user-serviceable. Take the tool to an authorised DEWALT repair agent after approximately 100 hours of use. If problems occur before this time contact an authorised DEWALT repair agent.

### Accessory Maintenance (fig. 9)

Accessory maintenance at the right time guarantees optimal results in application and a long and efficient accessory life.

Grind the chisels on grinding discs. Refer to figure 8 for the appropriate angles of the following chisels:

- i. spade-shaped chisel
- j. cold chisel
- k. pointed chisel
- l. U-shaped chisel
- m. hollow chisel
- n. mortar chisel
- o. toothed chisel



**WARNING:** These chisels can be reground only a limited number of times. If in doubt, contact your dealer for recommendations.



**WARNING:** Ensure that the cutting edge does not show discolouration caused by too much pressure. This may impair the hardness of the accessory.



### Lubrication

Your power tool requires no additional lubrication.



### Cleaning



**WARNING:** Blow dirt and dust out of the main housing with dry air as often as dirt is seen collecting in and around the air vents. Wear eye protection when performing this procedure.



**WARNING:** Never use solvents or other harsh chemicals for cleaning the non-metallic parts of the tool. These chemicals may weaken the materials used in these parts. Use a cloth dampened only with water and mild soap. Never let any liquid get inside the tool; never immerse any part of the tool into a liquid.

### Optional Accessories



**WARNING:** Since accessories, other than those offered by DEWALT, have not been tested with this product, use of such accessories with this tool could be hazardous. To reduce the risk of injury, only DEWALT recommended accessories should be used with this product.

Consult your dealer for further information on the appropriate accessories.

### Protecting the Environment



Separate collection. This product must not be disposed of with normal household waste.

## ENGLISH

Should you find one day that your DEWALT product needs replacement, or if it is of no further use to you, do not dispose of it with household waste. Make this product available for separate collection.



Separate collection of used products and packaging allows materials to be recycled and used again. Re-use of recycled materials helps prevent environmental pollution and reduces the demand for raw materials.

Local regulations may provide for separate collection of electrical products from the household, at municipal waste sites or by the retailer when you purchase a new product.

DEWALT provides a facility for the collection and recycling of DEWALT products once they have reached the end of their working life. To take advantage of this service please return your product to any authorised repair agent who will collect them on our behalf.

You can check the location of your nearest authorised repair agent by contacting your local DEWALT office at the address indicated in this manual. Alternatively, a list of authorised DEWALT repair agents and full details of our after-sales service and contacts are available on the Internet at: **[www.2helpU.com](http://www.2helpU.com)**.

## GUARANTEE

DEWALT is confident of the quality of its products and offers an outstanding guarantee for professional users of the product. This guarantee statement is in addition to and in no way prejudices your contractual rights as a professional user or your statutory rights as a private non-professional user. The guarantee is valid within the territories of the Member States of the European Union and the European Free Trade Area.

### • 30 DAY NO RISK SATISFACTION GUARANTEE •

If you are not completely satisfied with the performance of your DEWALT tool, simply return it within 30 days, complete with all original components, as purchased, to the point of purchase, for a full refund or exchange. The product must have been subject to fair wear and tear and proof of purchase must be produced.

### • ONE YEAR FREE SERVICE CONTRACT •

If you need maintenance or service for your DEWALT tool, in the 12 months following purchase, you are entitled to one service free of charge. It will be undertaken free of charge at an authorised DEWALT repair agent. Proof of purchase must be produced. Includes labour. Excludes accessories and spare parts unless failed under warranty.

### • ONE YEAR FULL WARRANTY •

If your DEWALT product becomes defective due to faulty materials or workmanship within 12 months from the date of purchase, DEWALT guarantees to replace all defective parts free of charge or – at our discretion – replace the unit free of charge provided that:

- The product has not been misused;
- The product has been subject to fair wear and tear;
- Repairs have not been attempted by unauthorised persons;
- Proof of purchase is produced;
- The product is returned complete with all original components.

If you wish to make a claim, contact your seller or check the location of your nearest authorised DEWALT repair agent in the DEWALT catalogue or contact your DEWALT office at the address indicated in this manual. A list of authorised DEWALT repair agents and full details of our after-sales service is available on the Internet at: **[www.2helpU.com](http://www.2helpU.com)**.

<b>Belgique et Luxembourg België en Luxemburg</b>	Black & Decker - DeWALT Nieuwlandlaan 7, IZ Aarschot B156 B-3200 Aarschot	Dutch Tel: 32 70 220 063 French Tel:32 70 220 062	Fax: 32 70 225 585 Fax: 32 70 222 441 www.dewalt.be
<b>Danmark</b>	DeWALT Sluseholmen 2-4 2450 København SV		Tlf: 70201511 Fax: 70224910 www.dewalt.dk
<b>Deutschland</b>	DeWALT Richard Klinger Str. 11 65510 Idstein		Tel: 06126-21-1 Fax: 06126-21-2770 www.dewalt.de
<b>Ελλάς</b>	Black & Decker (Ελλάς) A.E. Σπράβωνος 7 & Βουλιαγμένης 159 Γλυφάδα 16674, Αθήνα	Τηλ: 30 210 8981-616 Service: 30 210 8981-616 Φαξ: 30 210 8983-570	www.dewalt.gr
<b>España</b>	DeWALT Parque de Negocios "Mas Blau" Edificio Muntadas, c/Bergadá, 1, Of. A6 08820 El Prat de Llobregat (Barcelona)		Tel: 934 797 400 Fax: 934 797 419 www.dewalt.es
<b>France</b>	DeWALT 5, allée des hêtres BP 30084, 69579 Limonest Cedex		Tel: 04 72 20 39 20 Fax: 04 72 20 39 00 www.dewalt.fr
<b>Schweiz Suisse Svizzera</b>	DeWALT In der Luberzen 40 8902 Urdorf		Tel: 01 - 730 67 47 Fax: 01 - 730 70 67 www.dewalt.ch
<b>Ireland</b>	DeWALT Calpe House Rock Hill Black Rock, Co. Dublin		Tel: 00353-2781800 Fax: 00353-2781811 www.dewalt.ie
<b>Italia</b>	DeWALT c/o Energypark Building 03 sud, Via Monza 7/A, 20871 Vimercate (MB), IT		Tel: 800-014353 Fax: 39 039 9590 317 www.dewalt.it
<b>Nederlands</b>	Black & Decker - DeWALT Joulehof 12 4600 AB Bergen Op Zoom		Tel: 31 164 283 063 Fax: 31 164 283 200 www.dewalt.nl
<b>Norge</b>	DeWALT Postboks 4613, Nydalen 0405 Oslo		Tel: 45 25 13 00 Fax: 45 25 08 00 www.dewalt.no
<b>Österreich</b>	DeWALT Werkzeug Vertriebsges m.b.H Oberlaaerstrasse 248 A-1230 Wien		Tel: 01 - 66116 - 0 Fax: 01 - 66116 - 14 www.dewalt.at
<b>Portugal</b>	DeWALT Centro de Escritórios de Sintra Avenida Almirante Gago Coutinho, 132/134, Edifício 142710-418 Sintra 2710-418 Lisboa		Tel: 214 66 75 00 Fax: 214 66 75 75 www.dewalt.pt
<b>Suomi</b>	DeWALT Tekniikantie 12 02150 Espoo, Finland		Puh: 010 400 430 Faksi: 0800 411 340 www.dewalt.fi
<b>Sverige</b>	DeWALT Box 94 431 22 Mölndal		Tel: 031 68 61 00 Fax: 031 68 60 08 www.dewalt.se
<b>Türkiye</b>	KALE Hırdavat ve Makina A.Ş. Defterdar Mah. Savaklar Cad. No:15 Edirnekapı / Eyüp / İSTANBUL 34050 TÜRKİYE		Tel: 0212 533 52 55 Faks: 0212 533 10 05 www.dewalt.com.tr
<b>United Kingdom</b>	DeWALT 210 Bath Road; Slough, Berks SL1 3YD	Tel: 01753-56 70 55 Fax: 01753-57 21 12	www.dewalt.co.uk
<b>Middle East Africa</b>	DeWALT P.O. Box - 17164, Jebel Ali (South Zone), Dubai, UAE		Tel: 971 4 8863030 Fax: 971 4 8863333 www.dewalt.ae